

## Skid-mounted Equipment Introduction



## Product Introduction

ESS series exploration logging skids are mainly used for offshore or onshore exploration well operation. The structure is designed in split (with power module and workshop module) by using container framework, which has good sealing performance and is applicable to various kinds of climatic environments.

**Structure:** Fabricated steel frame structure, sand blasting and zinc spraying process, anti-corrosion paint process, with strong corrosion resistance;  
Sealing design of workshop, providing safe and comfortable indoor working environment;  
Container-type design, high structural strength, high anti-collision capability, and convenient for offshore and onshore transportation;  
Split structure design, container with corner fittings and lifting point, and convenient for hoisting.

**External dimensions:** Workshop module: 5,000 x 2,440 x 2,760mm (L x W x H)  
Power module: 2,520 x 1,400 x 2,000mm (L x W x H)

**Power system:** Be equipped with Commins 6BT5.9 motor with the rotating speed of 2,200rpm and power of 180hp (132kW);  
Be equipped with pneumatic startup system.

**Hydraulic system:** Adopt closed hydraulic system with patented technology, with speed adjustable by volume method and throttling method together;  
Adopt Rexroth hydraulic pump and matching motor to provide reliable and stable power transmission;  
With the ability of stable well logging at extremely low speed (0.6m/min), and meeting the logging needs;

## Skid-mounted Equipment Introduction

	<p>With the ability of quick acceleration at extremely high speed (120m/min), and raising the logging efficiency.</p>
Transmission method:	<p>Hydraulic transmission with velocity variation of gearbox; Adopt double speed (H and L) gearbox to meet the speed demands of large scope; Adopt chains to drive the winch drum, which is convenient for disassembly and assembly of cable drum.</p>
Winch drum:	<p>Meeting the demands for cable drum with cables of 15/32" or 17/32" in specifications; Net capacity of the cable drum is 7,500m (15/32" cable) or 5,500m (17/32" cable).</p>
Well logging capacity:	<p>Adopt ELIS or ECLIPS operating system; Max. pulling force is 17,636lbs (8,000kg).</p>
Control panel:	<p>Adopt aircraft aluminum plate through oxidation treatment, and it is beautiful and distinct; Each switch and button of the panel shall be clearly marked so as to make it convenient for operation; Be equipped with depth and tension display system for real-time monitoring; Be equipped with communication system between wellhead and workshop for contact of operators.</p>
Coiled cable system:	<p>Adopt air cylinder pressure bar device, which has shock absorption and balance effect; It realizes horizontal cable coiling by hydraulic support arm.</p>
Braking system:	<p>Adopt cylinder and balance bar, being safe and reliable.</p>
Air quality:	<p>Environment-friendly decorative materials are adopted for workshop inside with the air quality conforming to GB/T18883-2002 standards.</p>
Air conditioning:	<p>Be equipped with four sets of Coleman explosion-prevention air-conditioners, providing comfortable working environment for workshop.</p>
Lighting system:	<p>The outer part is equipped with LED explosion-prevention searching light; The workshop inside is equipped with electricity-saving lamp.</p>
Service environment:	<p>-40°C ~55°C .</p>
Certification requirements:	<p>Provide CCS lifting point certification.</p>
Equipment weight:	<p>Dead weight of 8,500kg Loading capacity of 1,500kg Gross weight of 10,000kg</p>

## Options

Electric power system:	<p>40KVA/110V/60HZ Denyo generator External dimensions: 2600 x 1,200 x 1,850mm (L x W x H)</p>
------------------------	--

### Skid-mounted Equipment Introduction



## Production Introduction

CSS series production logging skids are mainly used for offshore or onshore production well operation, meeting the requirements on explosion prevention of ZONE II. The structure is designed in split (with power module and workshop module) by using container framework, which has good sealing performance and is applicable to various kinds of climatic environments.

- Structure: Fabricated steel frame structure, sand blasting and zinc spraying process, anti-corrosion paint process, with strong corrosion resistance;  
 Sealing design of workshop, providing safe and comfortable indoor working environment;  
 Container-type design, high structural strength, high anti-collision capability, and convenient for offshore and onshore transportation;  
 Split structure design, container with corner fittings and lifting point, and convenient for hoisting.
- External dimensions: Workshop module: 4,020x2,300x2,700mm (L x W x H)  
 Power module: 2,220x1,400x2,000mm (L x W x H)
- Power system: Be equipped with Commins 4BT3.9 motor with the rotating speed of 2,800rpm and power of 105hp (77kW);  
 Be equipped with pneumatic startup system.
- Hydraulic system: Adopt closed hydraulic system with patented technology, with speed adjustable by volume method and throttling method together;  
 Adopt Rexroth hydraulic pump and matching motor to provide reliable and stable power transmission;  
 With the ability of stable well logging at extremely low speed (0.6m/min), and meeting the logging needs;

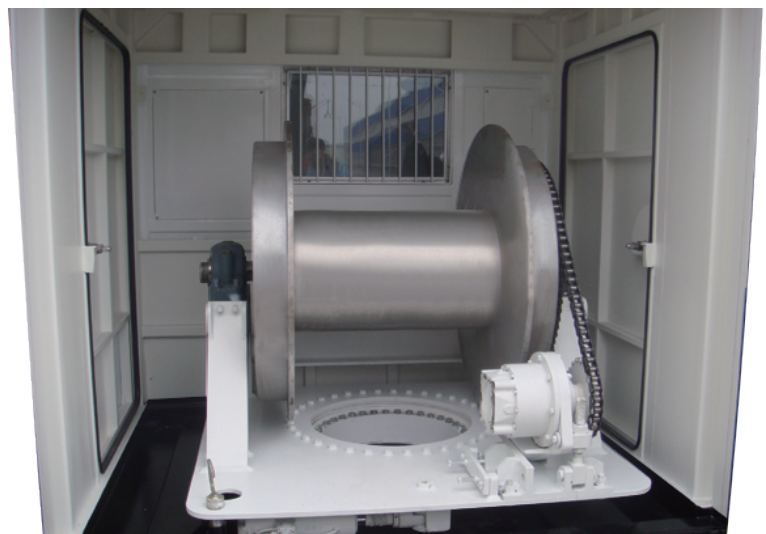
## Skid-mounted Equipment Introduction

- With the ability of quick acceleration at extremely high speed (120m/min), and raising the logging efficiency.
- Transmission method: Hydraulic transmission with velocity variation of gearbox;  
Adopt double speed (H and L) gearbox to meet the speed demands of large scope;  
Adopt chains to drive the winch drum, which is convenient for disassembly and assembly of cable drum.
- Winch drum: Meeting the demands for cable drum with cables of 7/32" or 5/16" in specifications;  
Net capacity of the cable drum is 7,500m (5/16" cable).
- Well logging capacity: Adopt CLIP or other operating system;  
Max. pulling force is 11,600lbs (5,262kg).
- Control panel: Adopt aircraft aluminum plate through oxidation treatment, and it is beautiful and distinct;  
Each switch and button of the panel shall be clearly marked so as to make it convenient for operation;  
Be equipped with depth and tension display system for real-time monitoring;  
Be equipped with communication system between wellhead and workshop for contact of operators.
- Coiled cable system: Adopt hydraulic cylinder pressure bar device, which has shock absorption and balance effect;  
It realizes horizontal cable coiling by hydraulic support arm.
- Braking system: Adopt cylinder and balance bar, being safe and reliable.
- Air quality: Environment-friendly decorative materials are adopted for workshop inside with the air quality conforming to GB/T18883-2002 standards.
- Air conditioning: Be equipped with two sets of Coleman explosion-prevention air-conditioners, providing comfortable working environment for workshop.
- Lighting system: The outer part is equipped with LED explosion-prevention searching light;  
The workshop inside is equipped with electricity-saving lamp.
- Service environment: -40°C ~55°C ;  
ZONE II.
- Certification requirements: Provide CCS positive pressure explosion-protection certification;  
Provide CCS lifting point certification.
- Equipment weight: Dead weight of 6,000kg      Loading capacity of 4,000kg      Gross weight of 10,000kg

## Options

- Electric power system: 15KVA/110V/60HZ Denyo generator  
External dimensions: 2,040x1,070x1,500mm (L x W x H)
- Production logging ground system: CLIP operating system

### Skid-mounted Equipment Introduction



## Skid-mounted Equipment Introduction



### Product Introduction

MSS series container module logging skids are mainly used for offshore or onshore exploration well operation. The structure is designed in three-split (with power module, workshop module and drum module) by using container framework, which has good sealing performance and is applicable to various kinds of climatic environments.

- Structure: Fabricated steel frame structure, sand blasting and zinc spraying process, anti-corrosion paint process, with strong corrosion resistance;  
Sealing design of workshop, providing safe and comfortable indoor working environment;  
Standard container-type design, high structural strength, high anti-collision capability, and convenient for offshore and onshore transportation;  
The three modules are able to be hoisted and transported independently;  
Split structure design, container with corner fittings and lifting point, and convenient for hoisting.
- External dimensions: Overall dimensions 6,060 x 2,438 x 2,800mm (L x W x H), of which:  
Workshop module: 2,860 x 2,438 x 2,800mm (L x W x H);  
Drum module: 2,000 x 2,438 x 2,400mm (L x W x H);  
Power module: 1,200 x 2,438 x 2,400mm (L x W x H);
- Power system: Be equipped with Commins 6BT5.9 motor with the rotating speed of 2,200rpm and power of 180hp (132kW);  
Be equipped with pneumatic startup system.
- Hydraulic system: Adopt closed hydraulic system with patented technology, with speed adjustable by volume method and throttling method together;  
Adopt Rexroth hydraulic pump and matching motor to provide reliable and stable power transmission;  
With the ability of stable well logging at extremely low speed (0.6m/min), and meeting the logging needs;  
With the ability of quick acceleration at extremely high speed (120m/min), and raising the logging efficiency.

## Skid-mounted Equipment Introduction

Transmission method:	Hydraulic transmission with velocity variation of gearbox; Adopt double speed (H and L) gearbox to meet the speed demands of large scope; Adopt chains to drive the winch drum, which is convenient for disassembly and assembly of cable drum.
Winch drum:	Meeting the demands for cable drum with cables of 15/32" or 17/32" in specifications; Net capacity of the cable drum is 7,500m (15/32" cable) or 5,500m (17/32" cable); The drum itself is able to realize the rotation of $\pm 8^\circ$ .
Well logging capacity:	Adopt ELIS or ECLIPS operating system; Max. pulling force is 17,636lbs (8,000kg).
Control panel:	Adopt aircraft aluminum plate through oxidation treatment, and it is beautiful and distinct; Each switch and button of the panel shall be clearly marked so as to make it convenient for operation; Be equipped with depth and tension display system for real-time monitoring; Be equipped with communication system between wellhead and workshop for contact of operators.
Coiled cable system:	Adopt air cylinder pressure bar device, which has shock absorption and balance effect; It realizes horizontal cable coiling by hydraulic support arm.
Braking system:	Adopt cylinder and balance bar, being safe and reliable.
Air quality:	Environment-friendly decorative materials are adopted for workshop inside with the air quality conforming to GB/T18883-2002 standards.
Air conditioning:	Be equipped with four sets of Coleman explosion-prevention air-conditioners, providing comfortable working environment for workshop.
Lighting system:	The outer part is equipped with LED explosion-prevention searching light; the workshop inside is equipped with electricity-saving lamp.
Service environment:	-40°C ~55°C .
Certification requirements:	Provide CCS lifting point certification.
Equipment weight:	Dead weight of 11,600kg Loading capacity of 6,200kg      Gross weight of 17,800kg (of which: for the workshop module, dead weight of 4,500kg, loading capacity of 100kg and gross weight of 4,600kg) Dead weight of the drum module is 4,400kg.      Loading capacity of 6,000kg Gross weight of 10,400kg Dead weight of the power module is 2,700kg.      Loading capacity of 100kg Gross weight of 2,800kg

## Skid-mounted Equipment Introduction

Main characteristics:

- (1) The overall physical dimensions are designed based on the standard container, which makes it convenient for long-distance transportation;
- (2) The modular design reduces the weight of single-piece, which makes it convenient for hoisting;
- (3) All parts of the equipment are installed in the module, which increases the safety guarantee;
- (4) The drum components (including the cable part) are installed in the drum module, requiring no further dismounting and installation, which reduces the workload and increases the safety guarantee;
- (5) Due to adopting three-split design, the power module (for de-noising) and drum module can be placed separately, which may effectively utilize the workshop space and reduce the noise and vibration in the workshop;
- (6) The drum module realizes side-to-side deflection of the drum by using rotary bearing, and the drum can be adjusted as required at any time to make it aligned with the wellhead for operation of single wells whose wellheads are in short distance.

## Options

Electric power system: 40KVA/110V/60HZ Denyo generator  
External dimensions: 2600 x 1,200 x 1,850mm (L x W x H)



**Skid-mounted Equipment Introduction**



**Product Introduction**

EH series exploration logging workshops are mainly used for offshore or onshore exploration well operation. The structure is designed by using container framework, which has good sealing performance and is applicable to various kinds of climatic environments.

- Structure: Fabricated steel frame structure, sand blasting and zinc spraying process, anti-corrosion paint process, with strong corrosion resistance;  
Sealing design of workshop, providing safe and comfortable indoor working environment;  
Container-type design, high structural strength, high anti-collision capability, and convenient for offshore and onshore transportation;  
The container with corner fittings and lifting point makes it convenient for hoisting.
- External dimensions: 5,710 x 2,300 x 2,896mm (L x W x H).
- Power supply configuration: Four types of power input voltages: 460V/440V/380V/220V; power: 30KVA, which makes it convenient for field service;  
Two types of power output (220V10KVA/120V20KVA), which makes it meet the operation needs.
- Workshop arrangement: Be equipped with wall cupboard, floor cabinet, locker, secretaire and worktable;  
Be equipped with instrument rack and tool cabinet, which make it meet the requirements of routine inspection and maintenance operation.
- Indoor decoration: Heat insulation with PU foam of four walls;  
Non-skid, grease proof and anti-static rubber floor.
- Air quality: Environment-friendly decorative materials are adopted for workshop inside with the air quality conforming to GB/T18883-2002 standards.
- Air conditioning: Be equipped with two sets of Coleman explosion-prevention air-conditioners, providing comfortable working environment for workshop.
- Lighting system: Be equipped with corresponding work light and illuminating lamp.
- Other configurations: Be equipped with a set of emergency lights;  
Supply a set of hanger with CCS certification.
- Service environment: -40°C ~55°C .
- Certification requirements: Provide CCS lifting point certification.
- Equipment weight: Dead weight of 4,500kg Loading capacity of 3,000kg Gross weight of 7,500kg

**Skid-mounted Equipment Introduction**



**Product Introduction**

CH series production logging workshop are mainly used for offshore or onshore production well operation, meeting the requirements on explosion prevention of ZONE II. The structure is designed by using container framework, which has good sealing performance and is applicable to various kinds of climatic environments.

- Structure: Fabricated steel frame structure, sand blasting and zinc spraying process, anti-corrosion paint process, with strong corrosion resistance;  
Sealing design of workshop, providing safe and comfortable indoor working environment;  
Container-type design, high structural strength, high anti-collision capability, and convenient for offshore and onshore transportation;  
The container with corner fittings and lifting point makes it convenient for hoisting.
- External dimensions: 3,780 x 2,300 x 2,896mm (L x W x H).
- Power supply configuration: Four types of power input voltages: 460V/440V/380V/220V; power: 20KVA, which makes it convenient for field service;  
Two types of power output (220V10KVA/120V10KVA), which makes it meet the operation needs.
- Workshop arrangement: Be equipped with wall cupboard, floor cabinet, locker, secretaire and worktable;  
Be equipped with instrument rack and tool cabinet, which make it meet the requirements of routine inspection and maintenance operation.
- Indoor decoration: Heat insulation with PU foam of four walls;  
Non-skid, grease proof and anti-static rubber floor.
- Air quality: Environment-friendly decorative materials are adopted for workshop inside with the air quality conforming to GB/T18883-2002 standards.
- Air conditioning: Be equipped with two sets of Coleman explosion-prevention air-conditioners, providing comfortable working environment for workshop.
- Lighting system: Be equipped with corresponding explosion-prevention work light.
- Other configurations: Be equipped with a set of emergency illuminating lamps;  
Supply a set of hanger with CCS certification.
- Service environment: -40°C ~55°C ;  
ZONE II.
- Explosion-prevention system: All indoor electrical equipment shall be provided with explosion-prevention products;  
Installed with smoke alarm, toxic gas alarm, temperature alarm and H2S alarm system.
- Certification requirements: Provide CCS positive pressure explosion-protection certification;  
Provide CCS lifting point certification.
- Equipment weight: Dead weight of 4,000kg    Loading capacity of 2,000kg    Gross weight of 6,000kg

## Skid-mounted Equipment Introduction



## Product Introduction

DH series logging while drilling workshop are mainly used for offshore or onshore logging while drilling operation, meeting the requirements on explosion prevention of ZONE II. The structure is designed by using container framework, which has good sealing performance and is applicable to various kinds of climatic environments.

Structure:	<p>Fabricated steel frame structure, sand blasting and zinc spraying process, anti-corrosion paint process, with strong corrosion resistance;</p> <p>Sealing design of workshop, providing safe and comfortable indoor working environment;</p> <p>Container-type design, high structural strength, high anti-collision capability, and convenient for offshore and onshore transportation;</p> <p>The container with corner fittings and lifting point makes it convenient for hoisting.</p>
External dimensions:	6,000 x 2,350 x 2,896mm (L x W x H).
Power supply configuration:	<p>Be equipped with a set of Taiwan-made dual-frequency input (50HZ and 60HZ) voltage stabilized source of AC Power Corp.;</p> <p>Four types of power input voltages: 460V/440V/380V/220V; power: 7.5KVA, which makes it convenient for field service;</p> <p>Two types of power output (220V6.5KVA/120V1KVA), which makes it meet the operation needs;</p> <p>Be equipped with a set of Taiwan-made dual-frequency input (with voltage of 220V) UPS of AC Power Corp., with the power of 2KVA.</p>
Workshop arrangement:	<p>It is divided into inner room and outer room. The inner is the workshop and the outer is the fitting room as well as intermediate room;</p> <p>The inner workshop is equipped with imported original fire-proofing and environmental protection wall cupboard and instrument console;</p> <p>Worktable and fitting cabinet are complete, which makes it meet the requirements of routine inspection and maintenance operation.</p>

### Skid-mounted Equipment Introduction

Indoor decoration:	Heat insulation with PU foam of four walls; Non-skid, grease proof and anti-static rubber floor.
Air quality:	Environment-friendly decorative materials are adopted for workshop inside with the air quality conforming to GB/T18883-2002 standards.
Air conditioning:	Be equipped with two sets of Coleman explosion-prevention air-conditioners, providing comfortable working environment for workshop.
Lighting system:	Be equipped with corresponding explosion-prevention work light.
Other configurations:	Roxtec products imported from Sweden are selected for power supply and signal wires; Be equipped with marine in-armored cable of 50m long (6cm <sup>2</sup> ), which makes it convenient for input power selection; Be equipped with a set of emergency illuminating lamps; With telephone wire and internet wire of 40m long preserved and linked with the internal telephone and wideband socket; Be equipped with an air freshener; Supply a set of hanger with CCS certification; Be equipped with a set of rack for computer system, which uses high strength industrial rack; Be equipped with a dryer.
Service environment:	-40°C ~55°C ; ZONE II.
Explosion-prevention system:	Be equipped with positive-voltage explosion-prevention automatic control system, which has the function of real-time monitoring; Installed with smoke alarm, toxic gas alarm, temperature alarm and H <sub>2</sub> S alarm system.
Certification requirements:	Provide CCS positive pressure explosion-protection certification; Provide CCS lifting point certification.
Equipment weight:	Dead weight of 7,500kg      Loading capacity of 2,000kg      Gross weight of 9,500kg

**Skid-mounted Equipment Introduction**



**Product Introduction**

VH series borehole seismic logging workshops are mainly used for offshore or onshore VSP logging operation. The structure is designed by using container framework, which has good sealing performance and is applicable to various kinds of climatic environments.

- Structure: Fabricated steel frame structure, sand blasting and zinc spraying process, anti-corrosion paint process, with strong corrosion resistance;  
Sealing design of workshop, providing safe and comfortable indoor working environment;  
Container-type design, high structural strength, high anti-collision capability, and convenient for offshore and onshore transportation;  
The container with corner fittings and lifting point makes it convenient for hoisting.
- External dimensions: 3320 x 2,300 x 2,896mm (L x W x H).
- Power supply configuration: Four types of power input voltages: 460V/440V/380V/220V; power: 10KVA, which makes it convenient for field service;  
Two types of power output (220V7KVA/120V3KVA), which makes it meet the operation needs;  
Be equipped with a set of 120V3KVA voltage stabilized source.
- Workshop arrangement: Be equipped with wall cupboard, floor cabinet, and secretaire;  
Be equipped with a storage room, which may store some short and small instruments and cables.
- Indoor decoration: Heat insulation with PU foam of four walls;  
Non-skid, grease proof and anti-static rubber floor.
- Air quality: Environment-friendly decorative materials are adopted for workshop inside with the air quality conforming to GB/T18883-2002 standards.
- Air conditioning: Be equipped with one set of Coleman explosion-prevention air-conditioners, providing comfortable working environment for workshop.
- Lighting system: Be equipped with corresponding work light and illuminating lamp.
- Other configurations: Be equipped with a set of emergency lights;  
Supply a set of hanger with CCS certification.
- Service environment: -40°C ~55°C ;
- Certification requirements: Provide CCS lifting point certification.
- Equipment weight: Dead weight of 3,500kg      Loading capacity of 2,500kg      Gross weight of 6,000kg

**Skid-mounted Equipment Introduction**



**Product Introduction**

IH series functional logging workshops are mainly used for offshore or onshore logging operation. The structure is designed by using container framework, which has good sealing performance and is applicable to various kinds of climatic environments.

- Structure: Fabricated steel frame structure, sand blasting and zinc spraying process, anti-corrosion paint process, with strong corrosion resistance;  
Sealing design of workshop, providing safe and comfortable indoor working environment;  
Container-type design, high structural strength, high anti-collision capability, and convenient for offshore and onshore transportation;  
The container with corner fittings and lifting point makes it convenient for hoisting.
- External dimensions: 3,450 x 2,300 x 2,750mm (L x W x H).
- Power supply configuration: Four types of power input voltages: 460V/440V/380V/220V; power: 40KVA, which makes it convenient for field service;  
Power output of 120V40KVA, which makes it meet the operation needs.
- Workshop arrangement: Be equipped with floor cabinet and rack.
- Indoor decoration: Heat insulation with PU foam of four walls;  
Non-skid, grease proof and anti-static rubber floor.
- Air quality: Environment-friendly decorative materials are adopted for workshop inside with the air quality conforming to GB/T18883-2002 standards.
- Air conditioning: Be equipped with four sets of Coleman explosion-prevention air-conditioners, providing comfortable working environment for workshop.
- Lighting system: Be equipped with corresponding work light and illuminating lamp.
- Other configurations: Be equipped with a set of emergency lights;  
Supply a set of hanger with CCS certification.
- Service environment: -40°C ~55°C .
- Certification requirements: Provide CCS lifting point certification.
- Equipment weight: Dead weight of 3,500kg      Loading capacity of 1,500kg Gross weight of 5,000kg

**Skid-mounted Equipment Introduction**



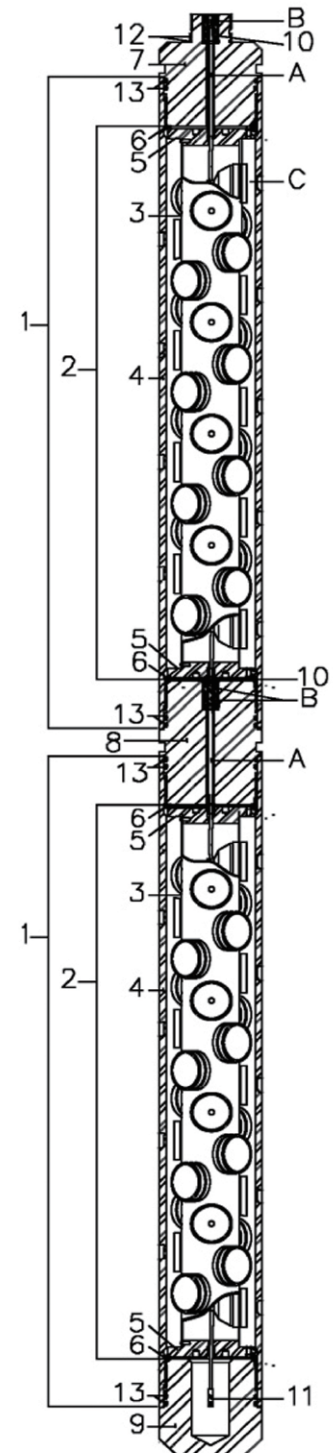
**Product Introduction**

FH series cable formation logging workshop are mainly used for offshore or onshore cable formation logging operation. The structure is designed by using container framework, which has good sealing performance and is applicable to various kinds of climatic environments.

- Structure: Fabricated steel frame structure, sand blasting and zinc spraying process, anti-corrosion paint process, with strong corrosion resistance;  
Sealing design of workshop, providing safe and comfortable indoor working environment;  
Container-type design, high structural strength, high anti-collision capability, and convenient for offshore and onshore transportation;  
The container with corner fittings and lifting point makes it convenient for hoisting.
- External dimensions: 5,710 x 2,300 x 2,896mm (L x W x H).
- Power supply configuration: Four types of power input voltages: 460V/440V/380V/220V; power: 30KVA, which makes it convenient for field service;  
Two types of power output (220V10KVA/120V20KVA), which makes it meet the operation needs.
- Workshop arrangement: Be equipped with wall cupboard, floor cabinet, locker, secretaire and worktable;  
The indoor is equipped with 0.5T hanger and instrument washing pit, which makes it convenient for disassembly, washing and lubrication of instruments;  
Be equipped with instrument rack and tool cabinet, which make it meet the requirements of routine inspection and maintenance operation.
- Indoor decoration: Heat insulation with PU foam of four walls;  
Non-skid, grease proof and anti-static rubber floor.
- Air quality: Environment-friendly decorative materials are adopted for workshop inside with the air quality conforming to GB/T18883-2002 standards.
- Air conditioning: Be equipped with two sets of Coleman explosion-prevention air-conditioners, providing comfortable working environment for workshop.
- Lighting system: Be equipped with corresponding work light and illuminating lamp.
- Other configurations: Be equipped with a set of emergency lights;  
Supply a set of hanger with CCS certification.
- Service environment: -40°C ~55°C .
- Certification requirements: Provide CCS lifting point certification.
- Equipment weight: Dead weight of 5,000kg      Loading capacity of 2,500kg      Gross weight of 7,500kg

## Perforating Gun 86

S.N.	Part No.	Remarks:
1	S086-A1610-610	Perforating gun assembly 86 x 6.1m 16 borehole/m 60° levorotation
	S086-A1610-450	Perforating gun assembly 86 x 4.5m 16 borehole/m 60° levorotation
	S086-A1610-330	Perforating gun assembly 86 x 3.3m 16 borehole/m 60° levorotation
	S086-A1610-210	Perforating gun assembly 86 x 2.1m 16 borehole/m 60° levorotation
	S086-A1610-120	Perforating gun assembly 86 x 1.2m 16 borehole/m 60° levorotation
2	T086-A1620-610	Gun carrier assembly 86 x 6.1m 16 borehole/m 60° levorotation
	T086-A1620-450	Gun carrier assembly 86 x 4.5m 16 borehole/m 60° levorotation
	T086-A1620-330	Gun carrier assembly 86 x 3.3m 16 borehole/m 60° levorotation
	T086-A1620-210	Gun carrier assembly 86 x 2.1m 16 borehole/m 60° levorotation
	T086-A1620-120	Gun carrier assembly 86 x 1.2m 16 borehole/m 60° levorotation
3	T054-1620-610	Firing mount tube: 6.1m 16 shot/m 60° levorotation
	T054-1620-450	Firing mount tube: 4.5m 16 shot/m 60° levorotation
	T054-1620-330	Firing mount tube: 3.3m 16 shot/m 60° levorotation
	T054-1620-210	Firing mount tube: 2.1m 16 shot/m 60° levorotation
	T054-1620-120	Firing mount tube: 1.2m 16 shot/m 60° levorotation
4	S086-1610-610	Perforating gun tube 86 x 6.1m 16 shot/m 60° levorotation
	S086-1610-450	Perforating gun tube 86 x 4.5m 16 shot/m 60° levorotation
	S086-1610-330	Perforating gun tube 86 x 3.3m 16 shot/m 60° levorotation
	S086-1610-210	Perforating gun tube 86 x 2.1m 16 shot/m 60° levorotation
	S086-1610-120	Perforating gun tube 86 x 1.2m 16 shot/m 60° levorotation
5	086-0030-054	Positioning plate
6	086-0040-073	86 gun clamping ring
7	086-0050-076	86 gun head
8	086-0051-076	86 gun center tap
9	086-0052-076	86 gun breech
10	000-40100	Transmission detonation accessories
11		Tail end sealing block for blasting fuse
12	000-40334	Gun head O-Ring #334
13	086-40334	086 gun center tap O-Ring #334
A		Blasting fuse
B		Bilateral transmission detonation tube
C	692D-86H-1	Charge



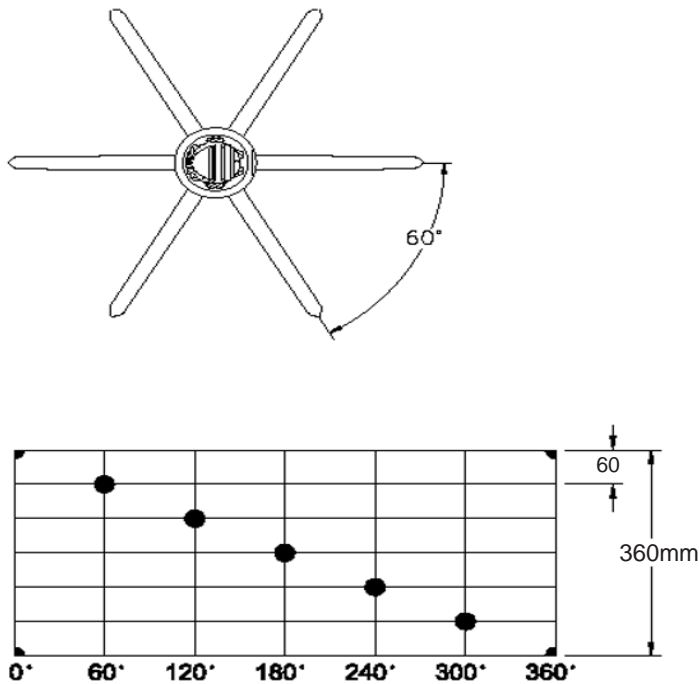
86 blind-hole perforating gun 16 shot/m 60° levorotation



Blind-hole perforating gun: OD 86mm  
 16 shot/m 60°levorotation  
 Perforating charge model: 692D-86H-1

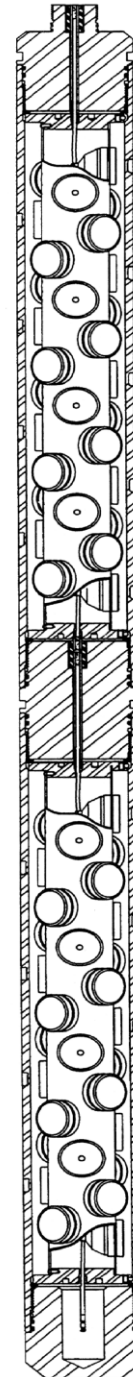


## Perforating Gun 86



### Technical Parameter

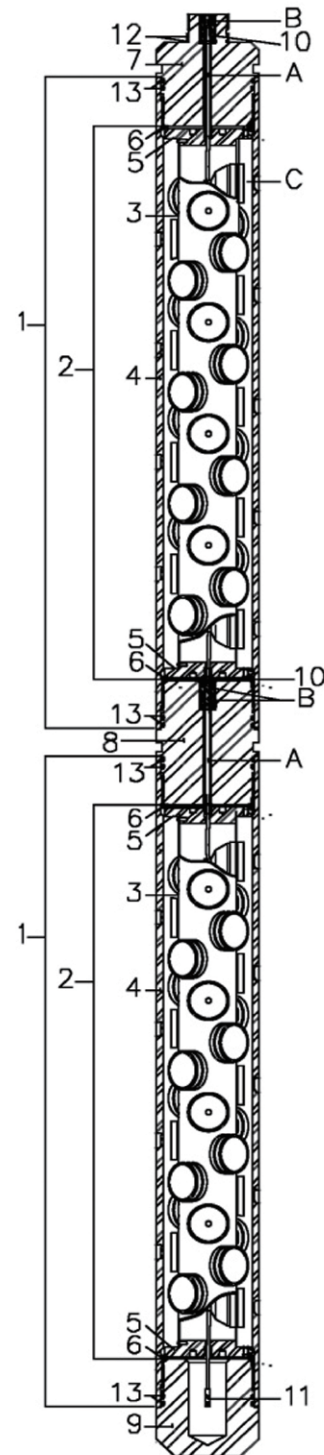
External collapse	140Mpa	20300psi
Temperature	200℃	392 °F
Tensile strength	81000kg	178414lbs
Bucket type	2-7/8"-6ACME	
Blind area	0.36 m	1.18ft
Unit weight of the barrel	21kg/m	14.1lb/ft



86 blind-hole perforating gun  
 16 shot/m 60 ° levorotation

## Perforating Gun 89

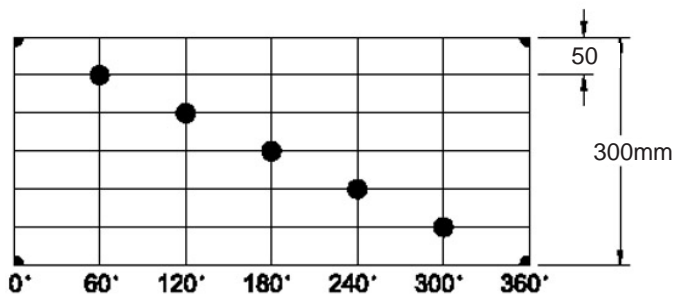
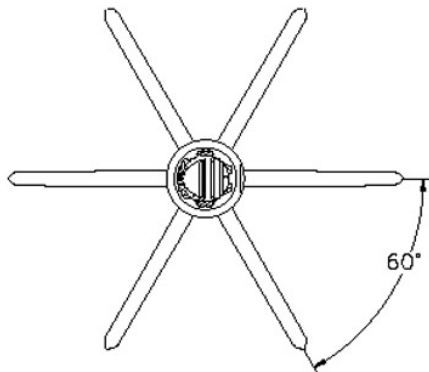
S.N.	Part No.	Remarks:
1	S089-A2010-450 S089-A2010-330 S089-A2010-210 S089-A2010-120	Perforating gun assembly 89 x 4.5m 20 borehole/m 60° levorotation Perforating gun assembly 89 x 3.3m 20 borehole/m 60° levorotation Perforating gun assembly 89 x 2.1m 20 borehole/m 60° levorotation Perforating gun assembly 89 x 1.2m 20 borehole/m 60° levorotation
2	T089-A2020-450 T089-A2020-330 T089-A2020-210 T089-A2020-120	Gun carrier assembly 89 x 4.5m 20 borehole/m 60° levorotation Gun carrier assembly 89 x 3.3m 20 borehole/m 60° levorotation Gun carrier assembly 89 x 2.1m 20 borehole/m 60° levorotation Gun carrier assembly 89 x 1.2m 20 borehole/m 60° levorotation
3	T054-2020-450 T054-2020-330 T054-2020-210 T054-2020-120	Firing mount tube: 4.5m 20 shot/m 60° levorotation Firing mount tube: 3.3m 20 shot/m 60° levorotation Firing mount tube: 2.1m 20 shot/m 60° levorotation Firing mount tube: 1.2m 20 shot/m 60° levorotation
4	S089-2010-450 S089-2010-330 S089-2010-210 S089-2010-120	Perforating gun tube 89 x 4.5m 20 shot/m 60° levorotation Perforating gun tube 89 x 3.3m 20 shot/m 60° levorotation Perforating gun tube 89 x 2.1m 20 shot/m 60° levorotation Perforating gun tube 89 x 1.2m 20 shot/m 60° levorotation
5	089-0030-054	Positioning plate
6	089-0040-075	89 gun clamping ring
7	089-0050-076	89 gun head
8	089-0051-079	89 gun center tap
9	089-0052-079	89 gun breech
10	000-40100	Transmission detonation accessories
11		Tail end sealing block for blasting fuse
12	000-40334	Gun head O-Ring #334
13	089-40233	89 gun center tap O-Ring #233
A		Blasting fuse
B		Bilateral transmission detonation tube
C	692D-89H-1	Charge



89 blind-hole perforating gun  
 20 shot/m 60° levorotation

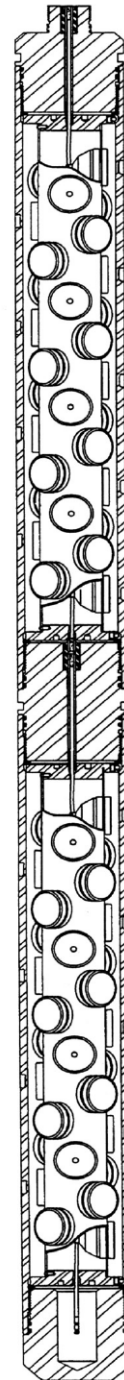
Blind-hole perforating gun: OD 89mm  
 20 shot/m 60°levorotation  
 Perforating charge model: 692D-89H-1

## Perforating Gun 89



### Technical Parameter

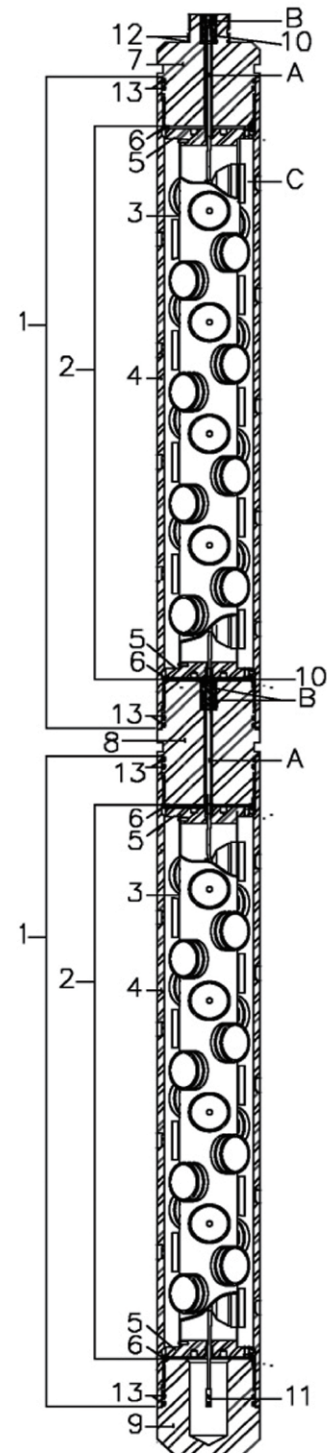
External collapse	140Mpa	20300psi
Temperature	200℃	392 °F
Tensile strength	84000kg	185022lbs
Bucket type	3-1/16"-6ACME	
Blind area	0.36 m	1.18ft
Unit weight of the barrel	21kg/m	14.1lb/ft



89 blind-hole perforating gun  
 20 shot/m 60 ° levorotation

## Perforating Gun 89

S.N.	Part No.	Remarks:
1	S089-A2011-450	Perforating gun assembly 89 x 4.5m 20 borehole/m 60° levorotation
	S089-A2011-330	Perforating gun assembly 89 x 3.3m 20 borehole/m 60° levorotation
	S089-A2011-210	Perforating gun assembly 89 x 2.1m 20 borehole/m 60° levorotation
	S089-A2011-120	Perforating gun assembly 89 x 1.2m 20 borehole/m 60° levorotation
2	T089-A2021-450	Gun carrier assembly 89 x 4.5m 20 borehole/m 60° levorotation
	T089-A2021-330	Gun carrier assembly 89 x 3.3m 20 borehole/m 60° levorotation
	T089-A2021-210	Gun carrier assembly 89 x 2.1m 20 borehole/m 60° levorotation
	T089-A2021-120	Gun carrier assembly 89 x 1.2m 20 borehole/m 60° levorotation
3	T054-2021-450	Firing mount tube: 4.5m 20 shot/m 60°levorotation
	T054-2021-330	Firing mount tube: 3.3m 20 shot/m 60°levorotation
	T054-2021-210	Firing mount tube: 2.1m 20 shot/m 60°levorotation
	T054-2021-120	Firing mount tube: 1.2m 20 shot/m 60°levorotation
4	S089-2010-450	Perforating gun tube 89 x 4.5m 20 shot/m 60° levorotation
	S089-2010-330	Perforating gun tube 89 x 3.3m 20 shot/m 60° levorotation
	S089-2010-210	Perforating gun tube 89 x 2.1m 20 shot/m 60° levorotation
	S089-2010-120	Perforating gun tube 89 x 1.2m 20 shot/m 60° levorotation
5	089-0030-054	Positioning plate
6	089-0040-075	89 gun clamping ring
7	089-0050-076	89 gun head
8	089-0051-079	89 gun center tap
9	089-0052-079	89 gun breech
10	000-40100	Transmission detonation accessories
11		Tail end sealing block for blasting fuse
12	000-40334	Gun head O-Ring#334
13	089-40233	89 gun center tap O-Ring #233
A		Blasting fuse
B		Bilateral transmission detonation tube
C	YD-89-03	Charge

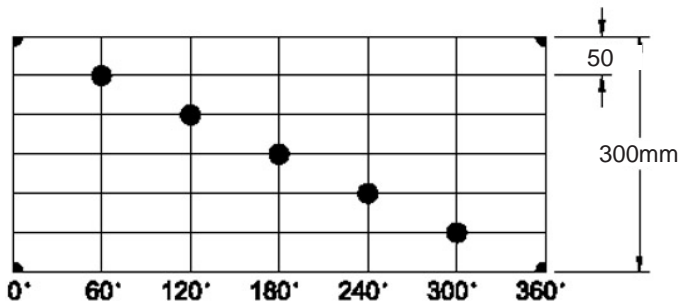
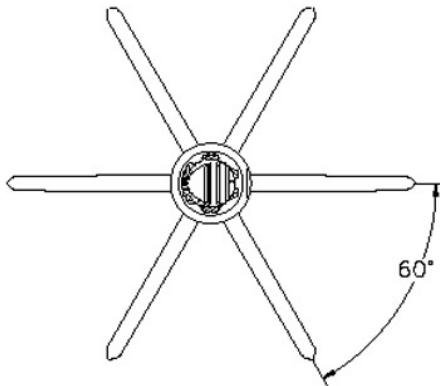


89 blind -hole perforating gun  
 20 shot/m 60 ° levorotation

Blind-hole perforating gun: OD 89mm  
 20 shot/m 60° leverotation  
 Perforating charge model: YD-89-03

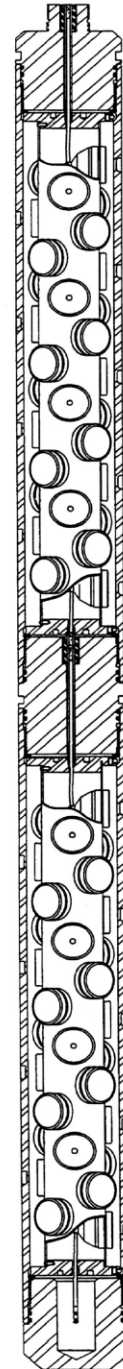


## Perforating Gun 89



### Technical Parameter

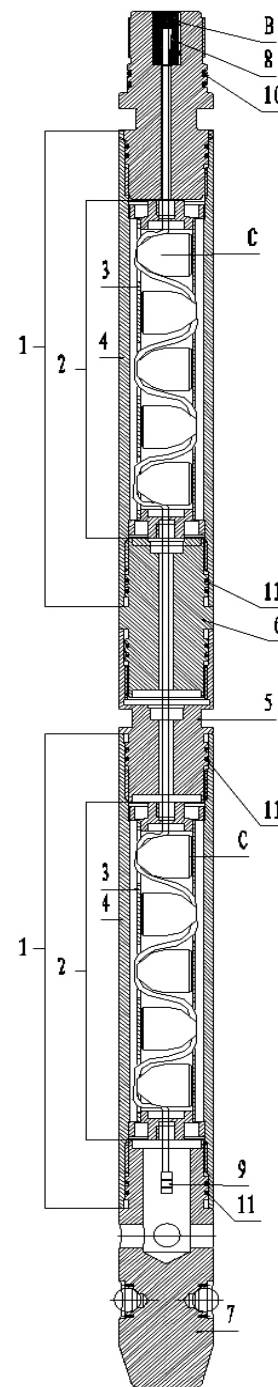
External collapse	140Mpa	20300psi
Temperature	200℃	392 °F
Tensile strength	84000kg	185022lbs
Bucket type	3-1/16"-6ACME	
Blind area	0.36 m	1.18ft
Unit weight of the barrel	21kg/m	14.1lb/ft



89 blind-hole perforating gun  
 20 shot/m 60° leverotation

## Perforating Gun 89

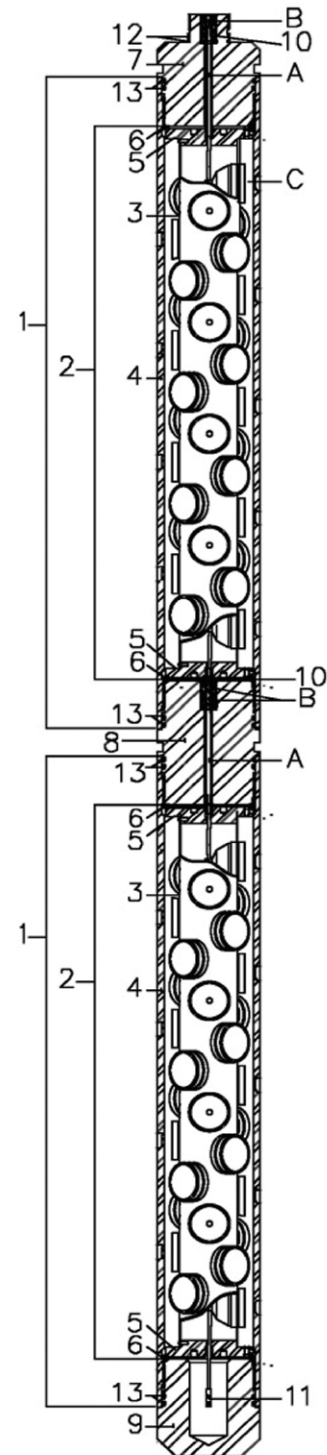
S.N.	Part No.	Remarks:
1	H089-A1610-300	Perforating gun assembly 89 x 3.0m 16 borehole/m 180° levorotation
2	H089-A1620-300	Gun carrier assembly 89 x 3.0m 16 borehole/m 180° levorotation
3	T054-1620-300	Firing mount tube: 3.0m 16 shot/m 180°levorotation
4	H089-1610-300	Perforating gun tube 89 x 3.0m 16 shot/m 180° levorotation
5	089-1050-079	89 horizontal well gun male/female head
6	089-1051-079	89 horizontal well gun center tap
7	089-1052-079	89 horizontal well gun breech
8	000-40100	Transmission detonation accessories
9		Tail end sealing block for blasting fuse
10	000-40334	Gun head O-Ring #334
11	102-40233	89 gun center tap O-Ring #233
A		Blasting fuse
B		Bilateral transmission detonation tube
C	692D-89H-1	Charge



Horizontal well perforating gun OD 89mm, 16 shot/m 180° levorotation

## Perforating Gun 102

S.N.	Part No.	Remarks:
1	S102-A1611-610	Perforating gun assembly 102 x 6.1m 16 borehole/m 60° levorotation
	S102-A1611-450	Perforating gun assembly 102 x 4.5m 16 borehole/m 60° levorotation
	S102-A1611-330	Perforating gun assembly 102 x 3.3m 16 borehole/m 60° levorotation
	S102-A1611-210	Perforating gun assembly 102 x 2.1m 16 borehole/m 60° levorotation
	S102-A1611-120	Perforating gun assembly 102 x 1.2m 16 borehole/m 60° levorotation
2	T102-A1621-610	Gun carrier assembly 102 x 6.1m 16 borehole/m 60° levorotation
	T102-A1621-450	Gun carrier assembly 102 x 4.5m 16 borehole/m 60° levorotation
	T102-A1621-330	Gun carrier assembly 102 x 3.3m 16 borehole/m 60° levorotation
	T102-A1621-210	Gun carrier assembly 102 x 2.1m 16 borehole/m 60° levorotation
	T102-A1621-120	Gun carrier assembly 102 x 1.2m 16 borehole/m 60° levorotation
3	T070-1621-610	Firing mount tube: 6.1m 16 shot/m 60°levorotation
	T070-1621-450	Firing mount tube: 4.5m 16 shot/m 60°levorotation
	T070-1621-330	Firing mount tube: 3.3m 16 shot/m 60°levorotation
	T070-1621-210	Firing mount tube: 2.1m 16 shot/m 60°levorotation
	T070-1621-120	Firing mount tube: 1.2m 16 shot/m 60°levorotation
4	S102-1610-610	Perforating gun tube 102 x 6.1m 16 shot/m 60° levorotation
	S102-1610-450	Perforating gun tube 102 x 4.5m 16 shot/m 60° levorotation
	S102-1610-330	Perforating gun tube 102 x 3.3m 16 shot/m 60° levorotation
	S102-1610-210	Perforating gun tube 102 x 2.1m 16 shot/m 60° levorotation
	S102-1610-120	Perforating gun tube 102 x 1.2m 16 shot/m 60° levorotation
5	102-0030-063	Positioning plate
6	102-0040-088	102 gun clamping ring
7	102-0050-076	102 gun head
8	102-0051-090	102 gun center tap
9	102-0052-090	102 gun breech
10	000-40100	Transmission detonation accessories
11		Tail end sealing block for blasting fuse
12	000-40334	Gun head O-Ring#334
13	102-40338	102 gun center tap O-Ring #338
A		Blasting fuse
B		Bilateral transmission detonation tube
C	692SD-102R-1	Charge

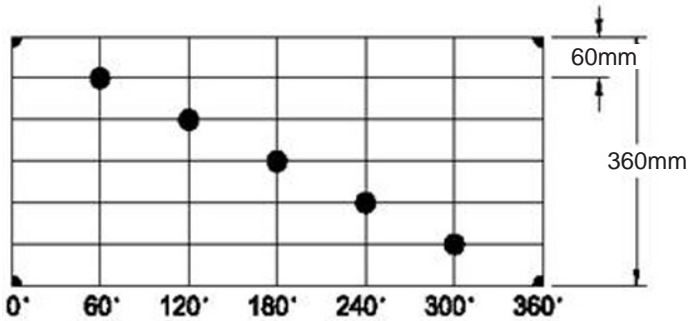
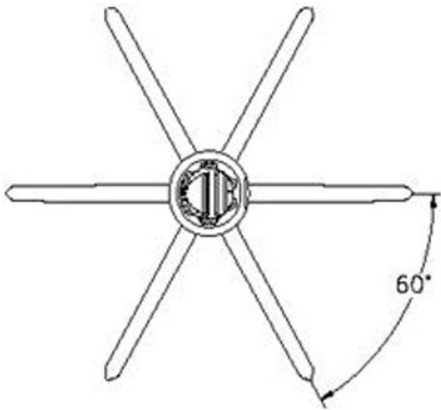


102 blind-hole perforating gun  
 16 shot/m 60° levorotation

Blind-hole perforating gun: OD 102mm  
 16 shot/m 60°levorotation  
 Perforating charge model: 692SD-102R-1

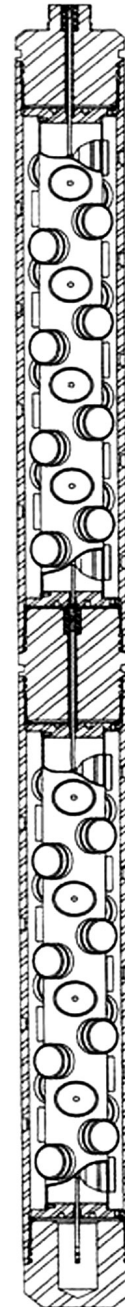


## Perforating Gun 102



### Technical Parameter

External collapse	130Mpa	18850psi
Temperature	200℃	392 °F
Tensile strength	107000 kg	235680lbs
Bucket type	3-1/2"-6ACME	
Blind area	0.35 m	1.15ft
Unit weight of the barrel	27kg/m	18.1lb/ft

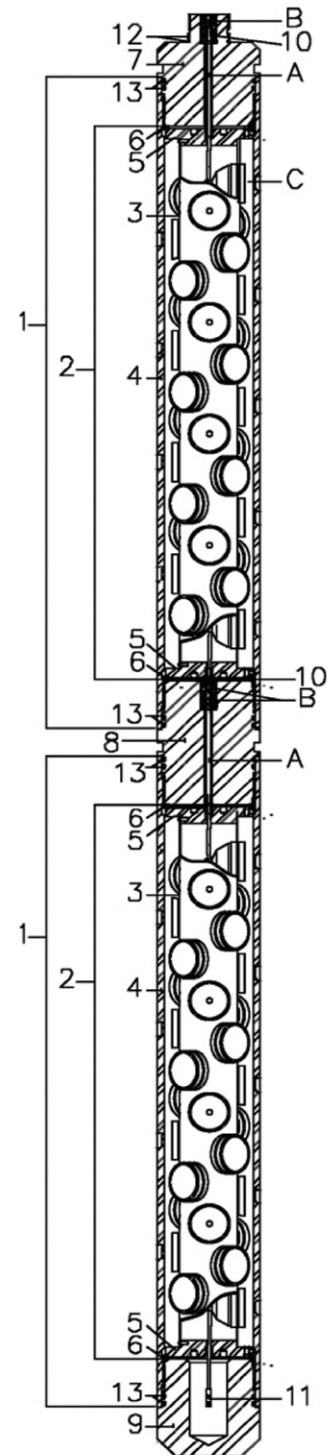


102 blind-hole perforating gun  
 16 shot/m 60° levorotation



## Perforating Gun 102

S.N.	Part No.	Remarks:
1	S102-A1610-610	Perforating gun assembly 102 x 6.1m 16 borehole/m 60° levorotation
	S102-A1610-450	Perforating gun assembly 102 x 4.5m 16 borehole/m 60° levorotation
	S102-A1610-330	Perforating gun assembly 102 x 3.3m 16 borehole/m 60° levorotation
	S102-A1610-210	Perforating gun assembly 102 x 2.1m 16 borehole/m 60° levorotation
	S102-A1610-120	Perforating gun assembly 102 x 1.2m 16 borehole/m 60° levorotation
2	T102-A1620-610	Gun carrier assembly 102 x 6.1m 16 borehole/m 60° levorotation
	T102-A1620-450	Gun carrier assembly 102 x 4.5m 16 borehole/m 60° levorotation
	T102-A1620-330	Gun carrier assembly 102 x 3.3m 16 borehole/m 60° levorotation
	T102-A1620-210	Gun carrier assembly 102 x 2.1m 16 borehole/m 60° levorotation
	T102-A1620-120	Gun carrier assembly 102 x 1.2m 16 borehole/m 60° levorotation
3	T063-1620-610	Firing mount tube: 6.1m 16 shot/m 60°levorotation
	T063-1620-450	Firing mount tube: 4.5m 16 shot/m 60°levorotation
	T063-1620-330	Firing mount tube: 3.3m 16 shot/m 60°levorotation
	T063-1620-210	Firing mount tube: 2.1m 16 shot/m 60°levorotation
	T063-1620-120	Firing mount tube: 1.2m 16 shot/m 60°levorotation
4	S102-1610-610	Perforating gun tube 102 x 6.1m 16 shot/m 60° levorotation
	S102-1610-450	Perforating gun tube 102 x 4.5m 16 shot/m 60° levorotation
	S102-1610-330	Perforating gun tube 102 x 3.3m 16 shot/m 60° levorotation
	S102-1610-210	Perforating gun tube 102 x 2.1m 16 shot/m 60° levorotation
	S102-1610-120	Perforating gun tube 102 x 1.2m 16 shot/m 60° levorotation
5	102-0030-063	Positioning plate
6	102-0040-088	102 gun clamping ring
7	102-0050-076	102 gun head
8	102-0051-090	102 gun center tap
9	102-0052-090	102 gun breech
10	000-40100	Transmission detonation accessories
11		Tail end sealing block for blasting fuse
12	000-40334	Gun head O-Ring #334
13	102-40338	102 gun center tap O-Ring #338
A		Blasting fuse
B		Bilateral transmission detonation tube
C	DP48HMX-1	Charge

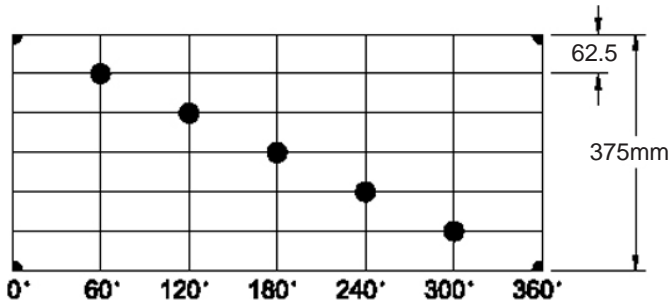
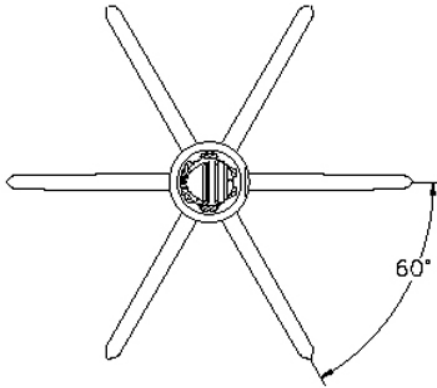


102 blind-hole perforating gun  
 16 shot/m 60° levorotation

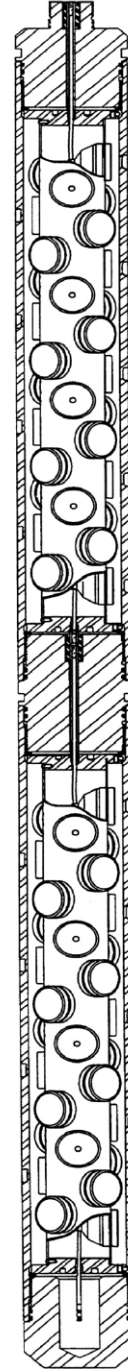
Blind-hole perforating gun: OD 102mm  
 16 shot/m 60°levorotation  
 Perforating charge model: DP48HMX-1



## Perforating Gun 102



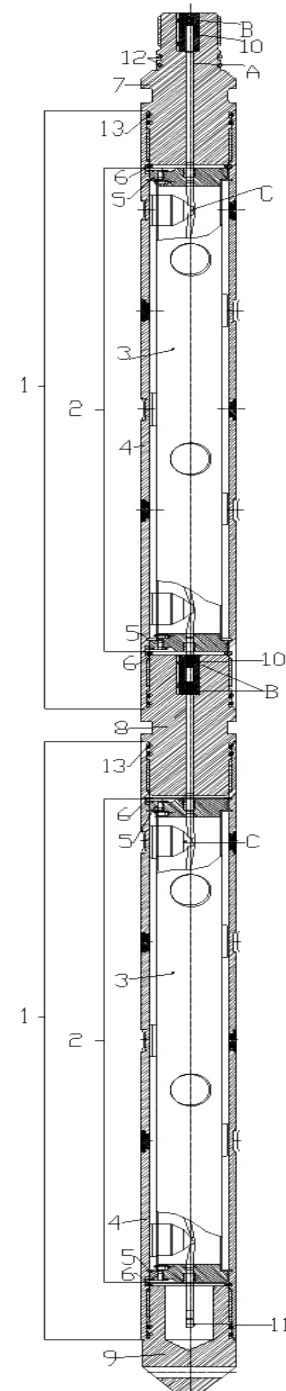
Technical Parameter		
External collapse	130Mpa	18850psi
Temperature	200℃	392 °F
Tensile strength	107000 kg	235680lbs
Bucket type	3-1/2"-6ACME	
Blind area	0.35 m	1.15ft
Unit weight of the barrel	27kg/m	18.1lb/ft



102 blind-hole perforating gun  
 16 shot/m 60° levorotation

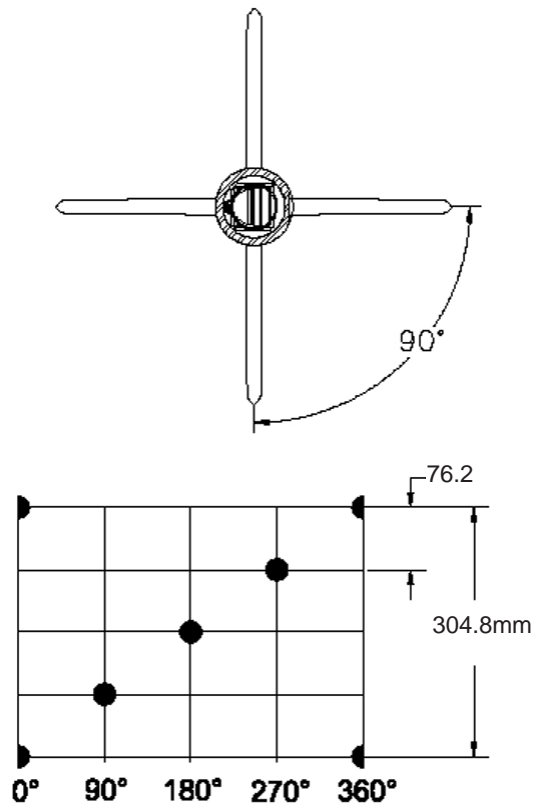
## Perforating Gun 102

S.N.	Part No.	Remarks:
1	F102-A1310-400	Perforating gun assembly 102 x 4.0m 13 borehole/m 90° levorotation
	F102-A1310-300	Perforating gun assembly 102 x 3.0m 13 borehole/m 90° levorotation
	F102-A1310-210	Perforating gun assembly 102 x 2.0m 13 borehole/m 90° levorotation
	F102-A1310-150	Perforating gun assembly 102 x 1.5m 13 borehole/m 90° levorotation
	F102-A1310-100	Perforating gun assembly 102 x 1.0m 13 borehole/m 90° levorotation
2	T102-A1320-400	Gun carrier assembly 102 x 4.0m 13 borehole/m 90° levorotation
	T102-A1320-300	Gun carrier assembly 102 x 3.0m 13 borehole/m 90° levorotation
	T102-A1320-200	Gun carrier assembly 102 x 2.0m 13 borehole/m 90° levorotation
	T102-A1320-150	Gun carrier assembly 102 x 1.5m 13 borehole/m 90° levorotation
	T102-A1320-100	Gun carrier assembly 102 x 1.0m 13 borehole/m 90° levorotation
3	T062-1320-400	Firing mount tube: 4.0m 13 shot/m 90°levorotation
	T062-1320-300	Firing mount tube: 3.0m 13 shot/m 90°levorotation
	T062-1320-200	Firing mount tube: 2.0m 13 shot/m 90°levorotation
	T062-1320-150	Firing mount tube: 1.5m 13 shot/m 90°levorotation
	T062-1320-100	Firing mount tube: 1.0m 13 shot/m 90°levorotation
4	F102-1310-400	Perforating gun tube 102 x 4.0m 13 shot/m 90° levorotation
	F102-1310-300	Perforating gun tube 102 x 3.0m 13 shot/m 90° levorotation
	F102-1310-200	Perforating gun tube 102 x 2.0m 13 shot/m 90° levorotation
	F102-1310-150	Perforating gun tube 102 x 1.5m 13 shot/m 90° levorotation
	F102-1310-100	Perforating gun tube 102 x 1.0m 13 shot/m 90° levorotation
5	102-0030-062	Positioning plate
6	102-0050-089	102 gun clamping ring
7	102-0050-076	102 gun head
8	102-0051-089	102 gun center tap
9	102-0052-089	102 gun breech
10	000-40100	Transmission detonation accessories
11		Tail end sealing block for blasting fuse
12	000-40334	Gun head O-Ring #334
13	102-40338	102 gun center tap O-Ring #338
A		Blasting fuse
B		Bilateral transmission detonation tube
C		Charge



Composite perforating gun: OD 102mm, 13 shot/m 90° levorotation

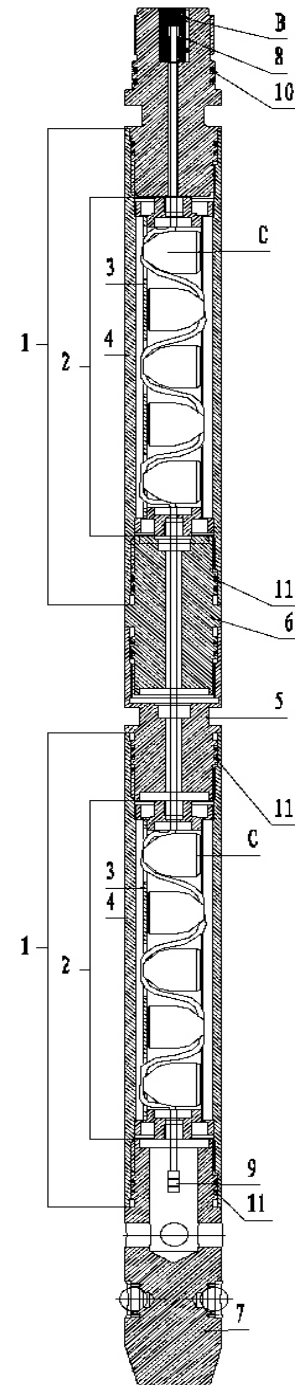
## Perforating Gun 102



Technical Parameter		
External collapse	70Mpa	10150psi
Temperature	200°C	392 °F
Tensile strength	107000kg	235682lbs
Bucket type	3-1/2"-6ACME	
Blind area	0.48 m	1.57ft
Unit weight of the barrel	27kg/m	18.1lb/ft

## Perforating Gun 102

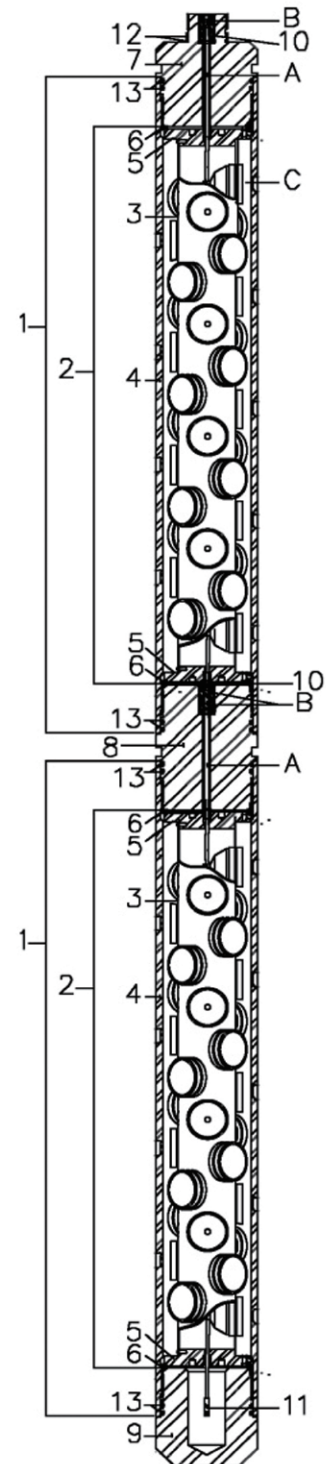
S.N.	Part No.	Remarks:
1	H102-A1610-300	Perforating gun assembly 102 x 3.0m 16 borehole/m 180° levorotation
2	H102-A1620-300	Gun carrier assembly 102 x 3.0m 16 borehole/m 180° levorotation
3	T060-1620-300	Firing mount tube: 3.0m 16 shot/m 180°levorotation
4	H102-1610-300	Perforating gun tube 102 x 3.0m 16 shot/m 180° levorotation
5	102-1050-090	102 horizontal well gun male/female head
6	102-1051-090	102 horizontal well gun center tap
7	102-1052-090	102 horizontal well gun breech
8	000-40100	Transmission detonation accessories
9		Tail end sealing block for blasting fuse
10	000-40334	Gun head O-Ring #334
11	102-40338	102 gun center tap O-Ring #338
A		Blasting fuse
B		Bilateral transmission detonation tube
C	DP44RDX-1	Charge



Horizontal well perforating gun: OD 102mm, 16 shot/m 180° levorotation

## Perforating Gun 114

S.N.	Part No.	Remarks:
1	S114-A4012-610	Perforating gun assembly 114 x 6.1m 40 borehole/m 135° levorotation
	S114-A4012-450	Perforating gun assembly 114 x 4.5m 40 borehole/m 135° levorotation
	S114-A4012-410	Perforating gun assembly 114 x 4.1m 40 borehole/m 135° levorotation
	S114-A4012-330	Perforating gun assembly 114 x 3.3m 40 borehole/m 135° levorotation
	S114-A4012-210	Perforating gun assembly 114 x 2.1m 40 borehole/m 135° levorotation
	S114-A4012-120	Perforating gun assembly 114 x 1.2m 40 borehole/m 135° levorotation
2	T114-A4022-610	Gun carrier assembly 114 x 6.1m 40 borehole/m 135° levorotation
	T114-A4022-450	Gun carrier assembly 114 x 4.5m 40 borehole/m 135° levorotation
	T114-A4022-410	Gun carrier assembly 114 x 4.1m 40 borehole/m 135° levorotation
	T114-A4022-330	Gun carrier assembly 114 x 3.3m 40 borehole/m 135° levorotation
	T114-A4022-210	Gun carrier assembly 114 x 2.1m 40 borehole/m 135° levorotation
	T114-A4022-120	Gun carrier assembly 114 x 1.2m 40 borehole/m 135° levorotation
3	T076-4022-610	Firing mount tube: 6.1m 40 shot/m 135°levorotation
	T076-4022-450	Firing mount tube: 4.5m 40 shot/m 135°levorotation
	T076-4022-410	Firing mount tube: 4.1m 40 shot/m 135°levorotation
	T076-4022-330	Firing mount tube: 3.3m 40 shot/m 135°levorotation
	T076-4022-210	Firing mount tube: 2.1m 40 shot/m 135°levorotation
	T076-4022-120	Firing mount tube: 1.2m 40 shot/m 135°levorotation
4	S114-4010-610	Perforating gun tube 114 x 6.1m 40 shot/m 135° levorotation
	S114-4010-450	Perforating gun tube 114 x 4.5m 40 shot/m 135° levorotation
	S114-4010-410	Perforating gun tube 114 x 4.1m 40 shot/m 135° levorotation
	S114-4010-330	Perforating gun tube 114 x 3.3m 40 shot/m 135° levorotation
	S114-4010-210	Perforating gun tube 114 x 2.1m 40 shot/m 135° levorotation
	S114-4010-120	Perforating gun tube 114 x 1.2m 40 shot/m 135° levorotation
5	114-0030-076	Positioning plate
6	114-0040-098	114 gun clamping ring
7	114-0050-076	114 gun head
8	114-0051-101	114 gun center tap
9	114-0052-101	114 gun breech
10	000-40100	Transmission detonation accessories
11		Tail end sealing block for blasting fuse
12	000-40334	Gun head O-Ring#334
13	114-40342	114 gun center tap O-Ring #342
A		Blasting fuse
B		Bilateral transmission detonation tube
C	692B-114H-2	Charge

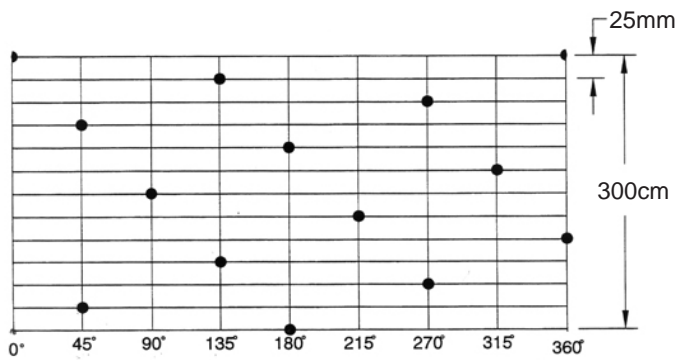
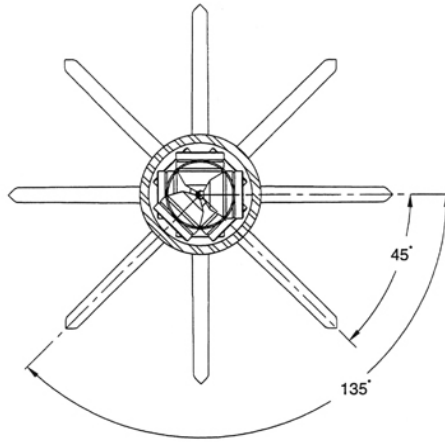


114 blind-hole perforating gun 40 shot/m 135° /45° levorotation

Blind-hole perforating gun: OD 114mm  
 40 shot/m 135°/45°levorotation  
 Perforating charge model: 692B-114H-2

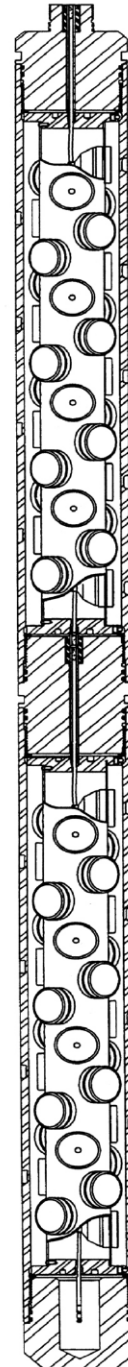


## Perforating Gun 114



### Technical Parameter

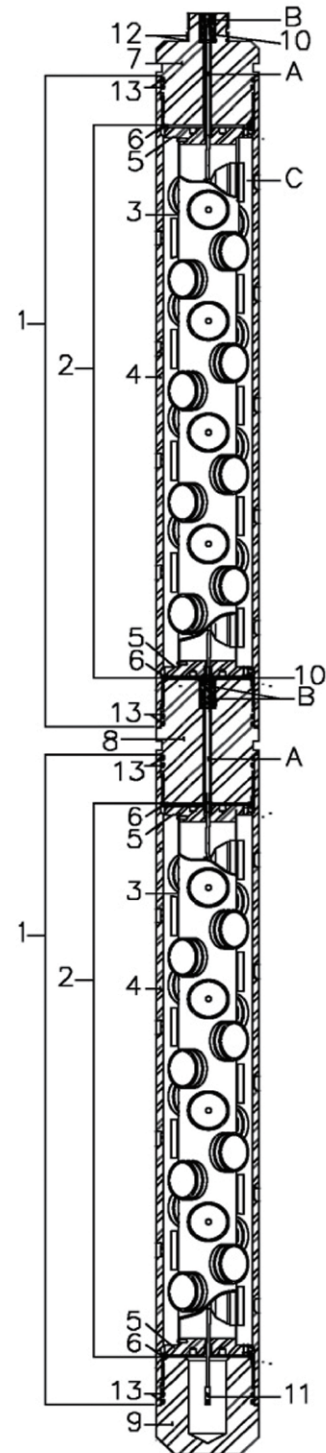
External collapse	130Mpa	18850psi
Temperature	200°C	392 °F
Tensile strength	140000 kg	308370lbs
Bucket type	3-15/16"-6ACME	
Blind area	0.35 m	1.15ft
Unit weight of the barrel	29kg/m	19.5lb/ft



114 盲孔射孔枪 40 孔 / 米  
 135 °/45 ° 左旋

## Perforating Gun 114

S.N.	Part No.	Remarks:
1	S114-A1612-610	Perforating gun assembly 114 x 6.1m 16 borehole/m 60° levorotation
	S114-A1612-450	Perforating gun assembly 114 x 4.5m 16 borehole/m 60° levorotation
	S114-A1612-330	Perforating gun assembly 114 x 3.3m 16 borehole/m 60° levorotation
	S114-A1612-210	Perforating gun assembly 114 x 2.1m 16 borehole/m 60° levorotation
	S114-A1612-120	Perforating gun assembly 114 x 1.2m 16 borehole/m 60° levorotation
2	T114-A1622-610	Gun carrier assembly 114 x 6.1m 16 borehole/m 60° levorotation
	T114-A1622-450	Gun carrier assembly 114 x 4.5m 16 borehole/m 60° levorotation
	T114-A1622-330	Gun carrier assembly 114 x 3.3m 16 borehole/m 60° levorotation
	T114-A1622-210	Gun carrier assembly 114 x 2.1m 16 borehole/m 60° levorotation
	T114-A1622-120	Gun carrier assembly 114 x 1.2m 16 borehole/m 60° levorotation
3	T070-1622-610	Firing mount tube: 6.1m 16 shot/m 60°levorotation
	T070-1622-450	Firing mount tube: 4.5m 16 shot/m 60°levorotation
	T070-1622-330	Firing mount tube: 3.3m 16 shot/m 60°levorotation
	T070-1622-210	Firing mount tube: 2.1m 16 shot/m 60°levorotation
	T070-1622-120	Firing mount tube: 1.2m 16 shot/m 60°levorotation
4	S114-1610-610	Perforating gun tube 114 x 6.1m 16 shot/m 60° levorotation
	S114-1610-450	Perforating gun tube 114 x 4.5m 16 shot/m 60° levorotation
	S114-1610-330	Perforating gun tube 114 x 3.3m 16 shot/m 60° levorotation
	S114-1610-210	Perforating gun tube 114 x 2.1m 16 shot/m 60° levorotation
	S114-1610-120	Perforating gun tube 114 x 1.2m 16 shot/m 60° levorotation
5	114-0030-060	Positioning plate
6	114-0040-098	114 gun clamping ring
7	114-0050-076	114 gun head
8	114-0051-101	114 gun center tap
9	114-0052-101	114 gun breech
10	000-40100	Transmission detonation accessories
11		Tail end sealing block for blasting fuse
12	000-40334	Gun head O-Ring#334
13	114-40342	114 gun center tap O-Ring #342
A		Blasting fuse
B		Bilateral transmission detonation tube
C	692SD-102R-1	Charge



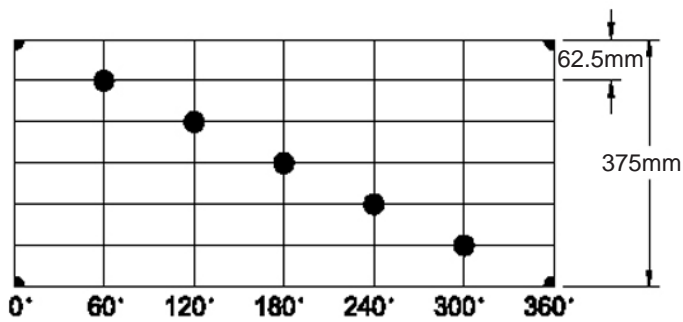
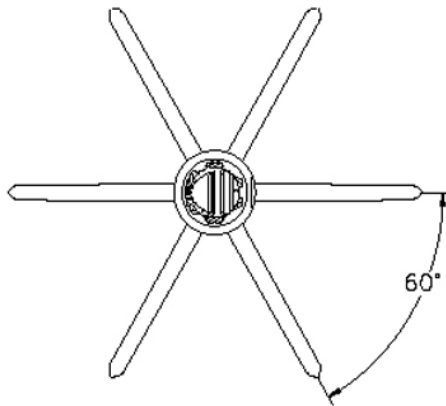
114 blind-hole perforating gun  
 16 shot/m 60° levorotation



Blind-hole perforating gun: OD 114mm  
 16 shot/m 60°levorotation  
 Perforating charge model: 692SD-102R-1

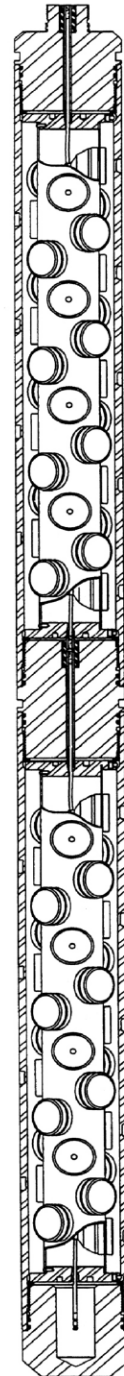


## Perforating Gun 114



### Technical Parameter-

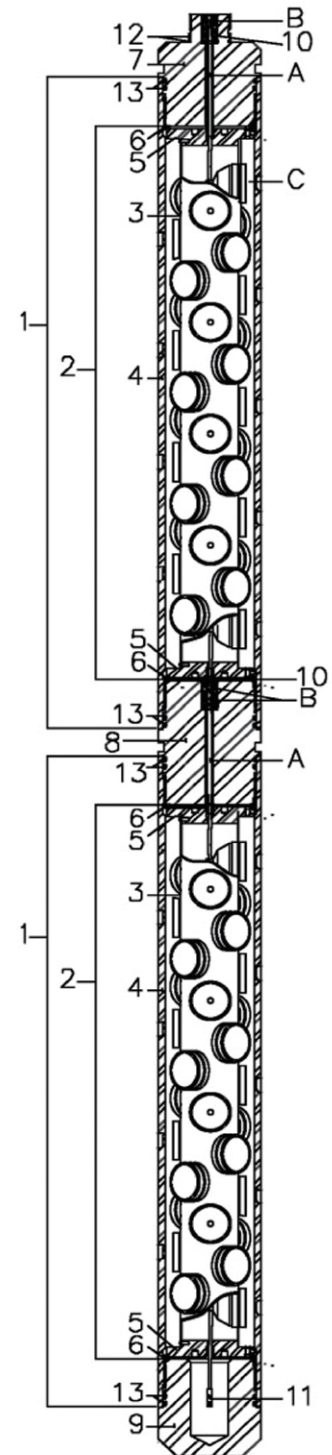
External collapse	130Mpa	18850psi
Temperature	200℃	392 °F
Tensile strength	140000 kg	308370lbs
Bucket type	3-15/16"-6ACME	
Blind area	0.35 m	1.15ft
Unit weight of the barrel	29kg/m	19.5lb/ft



114 blind - hole perforating gun  
 16 shot/m 60 ° levorotation

## Perforating Gun 114

S.N.	Part No.	Remarks:
1	S114-A1613-610	Perforating gun assembly 114 x 6.1m 16 borehole/m 60° levorotation
	S114-A1613-450	Perforating gun assembly 114 x 4.5m 16 borehole/m 60° levorotation
	S114-A1613-330	Perforating gun assembly 114 x 3.3m 16 borehole/m 60° levorotation
	S114-A1613-210	Perforating gun assembly 114 x 2.1m 16 borehole/m 60° levorotation
	S114-A1613-120	Perforating gun assembly 114 x 1.2m 16 borehole/m 60° levorotation
2	T114-A1623-610	Gun carrier assembly 114 x 6.1m 16 borehole/m 60° levorotation
	T114-A1623-450	Gun carrier assembly 114 x 4.5m 16 borehole/m 60° levorotation
	T114-A1623-330	Gun carrier assembly 114 x 3.3m 16 borehole/m 60° levorotation
	T114-A1623-210	Gun carrier assembly 114 x 2.1m 16 borehole/m 60° levorotation
	T114-A1623-120	Gun carrier assembly 114 x 1.2m 16 borehole/m 60° levorotation
3	T070-1623-610	Firing mount tube: 6.1m 16 shot/m 60° levorotation
	T070-1623-450	Firing mount tube: 4.5m 16 shot/m 60° levorotation
	T070-1623-330	Firing mount tube: 3.3m 16 shot/m 60° levorotation
	T070-1623-210	Firing mount tube: 2.1m 16 shot/m 60° levorotation
	T070-1623-120	Firing mount tube: 1.2m 16 shot/m 60° levorotation
4	S114-1610-610	Perforating gun tube 114 x 6.1m 16 shot/m 60° levorotation
	S114-1610-450	Perforating gun tube 114 x 4.5m 16 shot/m 60° levorotation
	S114-1610-330	Perforating gun tube 114 x 3.3m 16 shot/m 60° levorotation
	S114-1610-210	Perforating gun tube 114 x 2.1m 16 shot/m 60° levorotation
	S114-1610-120	Perforating gun tube 114 x 1.2m 16 shot/m 60° levorotation
5	114-0030-070	Positioning plate
6	114-0040-098	114 gun clamping ring
7	114-0050-076	114 gun head
8	114-0051-101	114 gun center tap
9	114-0052-101	114 gun breech
10	000-40100	Transmission detonation accessories
11		Tail end sealing block for blasting fuse
12	000-40334	Gun head O-Ring#334
13	114-40342	114 gun center tap O-Ring #342
A		Blasting fuse
B		Bilateral transmission detonation tube
C	D00222706	Charge

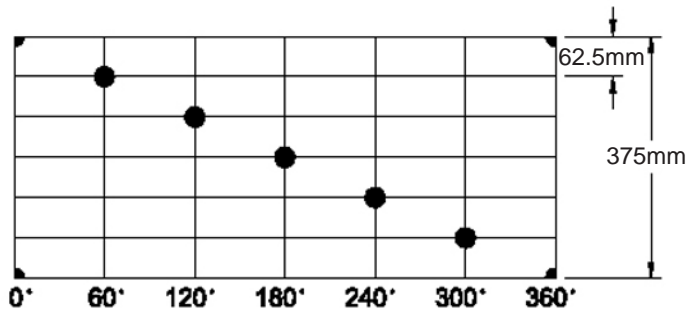
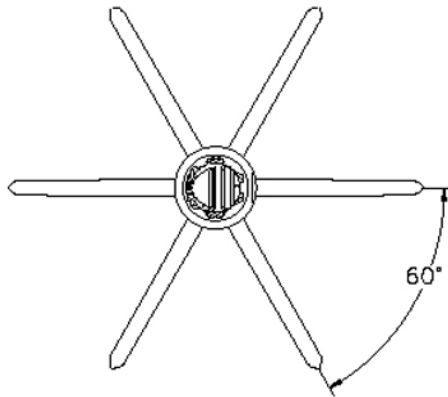


114 blind-hole perforating gun  
 16 shot/m 60° levorotation

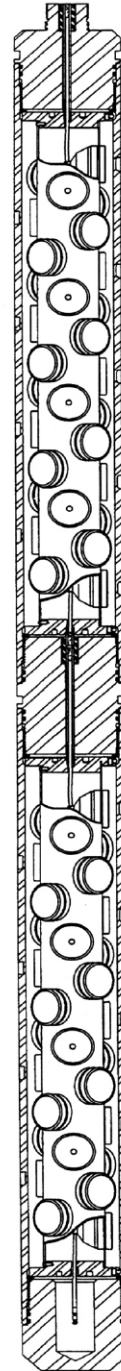
Blind-hole perforating gun: OD 114mm  
 16 shot/m 60°levorotation  
 Perforating charge model: D00222706



## Perforating Gun 114



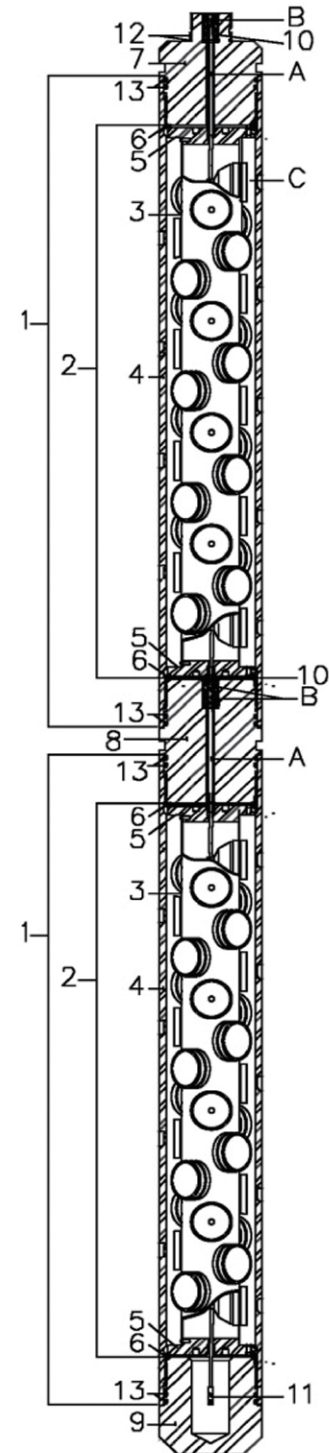
Technical Parameter		
External collapse	130Mpa	18850psi
Temperature	200°C	392 °F
Tensile strength	140000 kg	308370lbs
Bucket type	3-15/16"-6ACME	
Blind area	0.35 m	1.15ft
Unit weight of the barrel	29kg/m	19.5lb/ft



114 blind - hole perforating gun  
 16 shot/m 60 ° levorotation

## Perforating Gun 114

S.N.	Part No.	Remarks:
1	S114-A1611-610	Perforating gun assembly 114 x 6.1m 16 borehole/m 60° levorotation
	S114-A1611-450	Perforating gun assembly 114 x 4.5m 16 borehole/m 60° levorotation
	S114-A1611-330	Perforating gun assembly 114 x 3.3m 16 borehole/m 60° levorotation
	S114-A1611-210	Perforating gun assembly 114 x 2.1m 16 borehole/m 60° levorotation
	S114-A1611-120	Perforating gun assembly 114 x 1.2m 16 borehole/m 60° levorotation
2	T114-A1621-610	Gun carrier assembly 114 x 6.1m 16 borehole/m 60° levorotation
	T114-A1621-450	Gun carrier assembly 114 x 4.5m 16 borehole/m 60° levorotation
	T114-A1621-330	Gun carrier assembly 114 x 3.3m 16 borehole/m 60° levorotation
	T114-A1621-210	Gun carrier assembly 114 x 2.1m 16 borehole/m 60° levorotation
	T114-A1621-120	Gun carrier assembly 114 x 1.2m 16 borehole/m 60° levorotation
3	T060-1621-610	Firing mount tube: 6.1m 16 shot/m 60° levorotation
	T060-1621-450	Firing mount tube: 4.5m 16 shot/m 60° levorotation
	T060-1621-330	Firing mount tube: 3.3m 16 shot/m 60° levorotation
	T060-1621-210	Firing mount tube: 2.1m 16 shot/m 60° levorotation
	T060-1621-120	Firing mount tube: 1.2m 16 shot/m 60° levorotation
4	S114-1610-610	Perforating gun tube 114 x 6.1m 16 shot/m 60° levorotation
	S114-1610-450	Perforating gun tube 114 x 4.5m 16 shot/m 60° levorotation
	S114-1610-330	Perforating gun tube 114 x 3.3m 16 shot/m 60° levorotation
	S114-1610-210	Perforating gun tube 114 x 2.1m 16 shot/m 60° levorotation
	S114-1610-120	Perforating gun tube 114 x 1.2m 16 shot/m 60° levorotation
5	114-0030-060	Positioning plate
6	114-0040-098	114 gun clamping ring
7	114-0050-076	114 gun head
8	114-0051-101	114 gun center tap
9	114-0052-101	114 gun breech
10	000-40100	Transmission detonation accessories
11		Tail end sealing block for blasting fuse
12	000-40334	Gun head O-Ring #334
13	114-40342	114 gun center tap O-Ring #342
A		Blasting fuse
B		Bilateral transmission detonation tube
C	DP41HMX-52-127	Charge

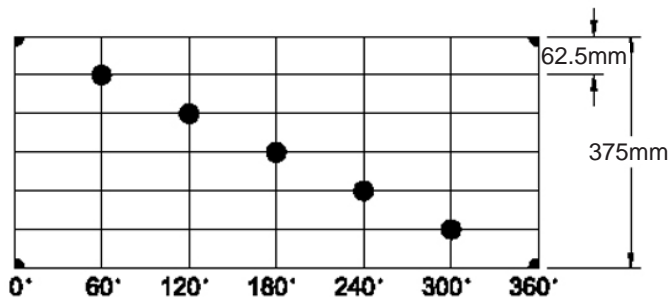
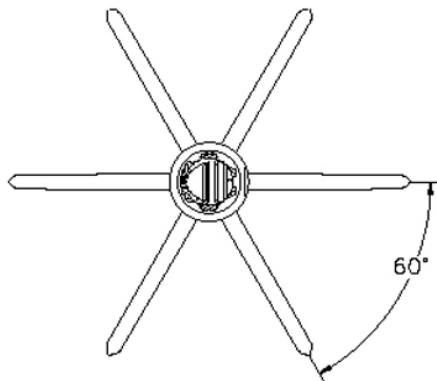


114 blind-hole perforating gun  
 16 shot/m 60° levorotation

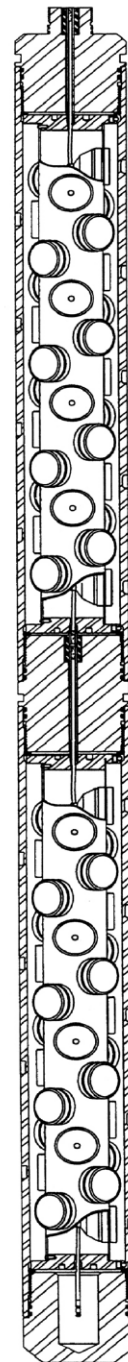
Blind-hole perforating gun: OD 114mm  
 16 shot/m 60°levorotation  
 Perforating charge model: DP41HMX-52-127



## Perforating Gun 114



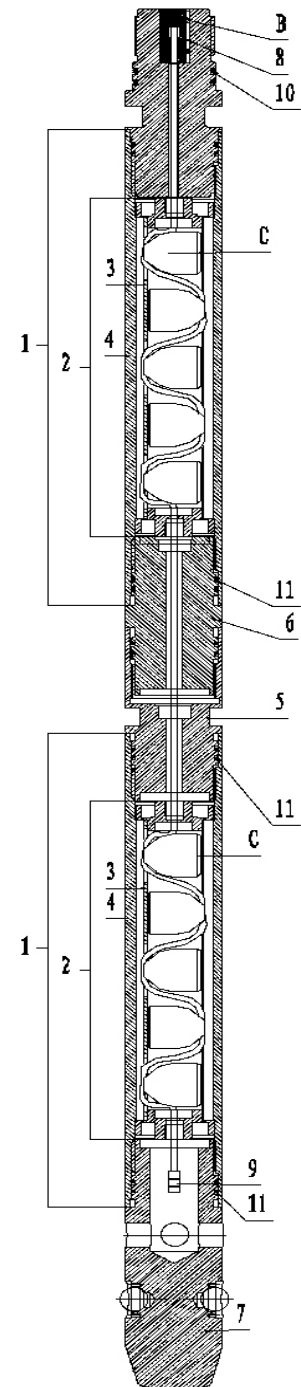
Technical Parameter		
External collapse	130Mpa	18850psi
Temperature	200℃	392 °F
Tensile strength	140000 kg	308370lbs
Bucket type	3-15/16"-6ACME	
Blind area	0.35 m	1.15ft
Unit weight of the barrel	29kg/m	19.5lb/ft



114 blind - hole perforating gun  
 16 shot/m 60 ° levorotation

## Perforating Gun 114

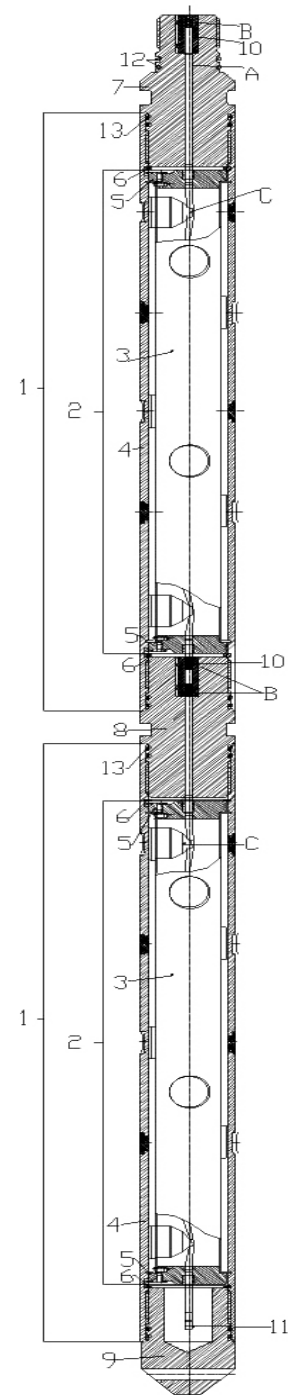
S.N.	Part No.	Remarks:
1	H114-A1610-300	Perforating gun assembly 114 x 3.0m 16 borehole/m 180° levorotation
2	H114-A1620-300	Gun carrier assembly 114 x 3.0m 16 borehole/m 180° levorotation
3	T060-1620-300	Firing mount tube: 3.0m 16 shot/m 180°levorotation
4	H114-1610-300	Perforating gun tube 114 x 3.0m 16 shot/m 180° levorotation
5	114-1050-101	114 horizontal well gun male/female joint
6	114-1051-101	114 horizontal well gun center tap
7	114-1052-101	114 horizontal well gun breech
8	000-40100	Transmission detonation accessories
9		Tail end sealing block for blasting fuse
10	000-40334	Gun head O-Ring#334
11	114-40342	114 gun center tap O-Ring #342
A		Blasting fuse
B		Bilateral transmission detonation tube
C	DP44RDX-1	Charge



Horizontal well perforating gun: OD 114mm, 16 shot/m 180° levorotation

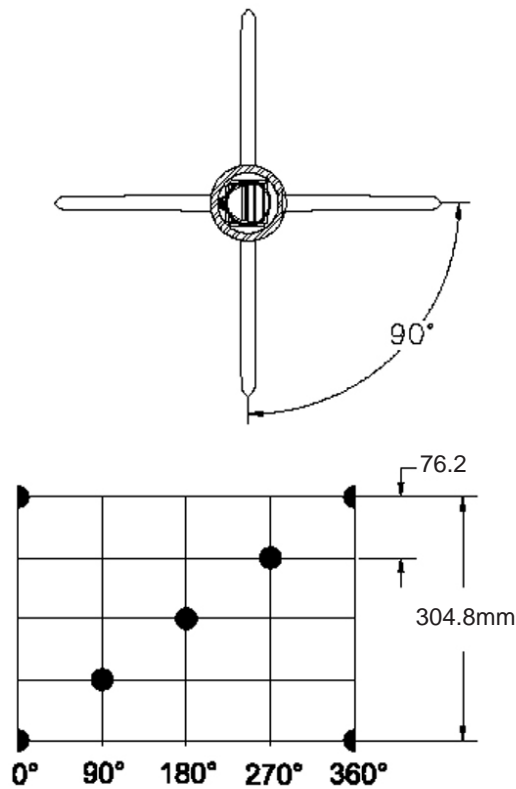
## Perforating Gun 114

S.N.	Part No.	Remarks:
1	F114-A1310-400 F114-A1310-300 F114-A1310-210 F114-A1310-150 F114-A1310-100	Perforating gun assembly 114 x 4.0m 13 borehole/m 90° levorotation Perforating gun assembly 114 x 3.0m 13 borehole/m 90° levorotation Perforating gun assembly 114 x 2.0m 13 borehole/m 90° levorotation Perforating gun assembly 114 x 1.5m 13 borehole/m 90° levorotation Perforating gun assembly 114 x 1.0m 13 borehole/m 90° levorotation
2	T114-A1320-400 T114-A1320-300 T114-A1320-200 T114-A1320-150 T114-A1320-100	Gun carrier assembly 114 x 4.0m 13 borehole/m 90° levorotation Gun carrier assembly 114 x 3.0m 13 borehole/m 90° levorotation Gun carrier assembly 114 x 2.0m 13 borehole/m 90° levorotation Gun carrier assembly 114 x 1.5m 13 borehole/m 90° levorotation Gun carrier assembly 114 x 1.0m 13 borehole/m 90° levorotation
3	T080-1320-400 T080-1320-300 T080-1320-200 T080-1320-150 T080-1320-100	Firing mount tube: 4.0m 13 shot/m 90°levorotation Firing mount tube: 3.0m 13 shot/m 90°levorotation Firing mount tube: 2.0m 13 shot/m 90°levorotation Firing mount tube: 1.5m 13 shot/m 90°levorotation Firing mount tube: 1.0m 13 shot/m 90°levorotation
4	F114-1310-400 F114-1310-300 F114-1310-200 F114-1310-150 F114-1310-100	Perforating gun tube 114 x 4.0m 13 shot/m 90° levorotation Perforating gun tube 114 x 3.0m 13 shot/m 90° levorotation Perforating gun tube 114 x 2.0m 13 shot/m 90° levorotation Perforating gun tube 114 x 1.5m 13 shot/m 90° levorotation Perforating gun tube 114 x 1.0m 13 shot/m 90° levorotation
5	114-0030-080	Positioning plate
6	114-0050-096	114 gun clamping ring
7	114-0050-076	114 gun head
8	114-0051-096	114 gun center tap
9	114-0052-096	114 gun breech
10	000-40100	Transmission detonation accessories
11		Tail end sealing block for blasting fuse
12	000-40334	Gun head O-Ring#334
13	114-40342	114 gun center tap O-Ring #342
A		Blasting fuse
B		Bilateral transmission detonation tube
C		Charge



Composite perforating gun: OD 114mm, 13 shot/m 90° levorotation

## Perforating Gun 114

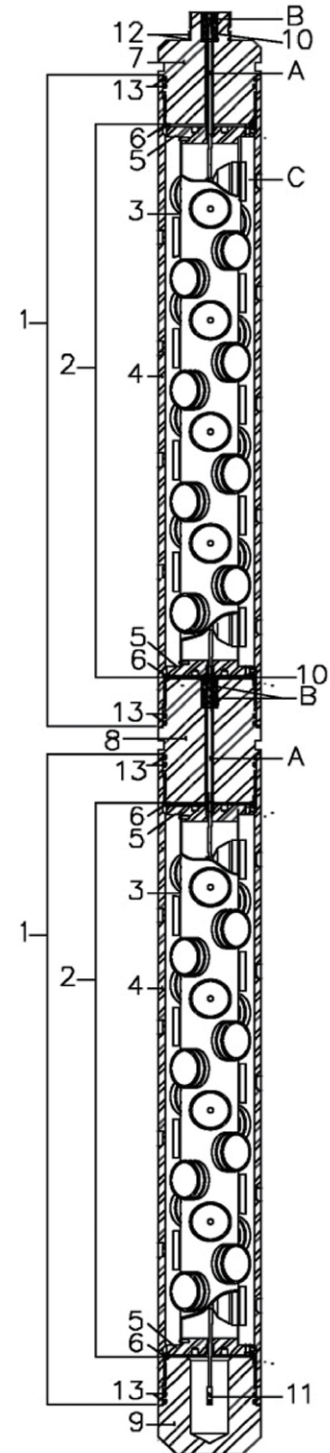


Technical Parameter		
External collapse	70Mpa	10150psi
Temperature	200°C	392 °F
Tensile strength	140000kg	308370lbs
Bucket type	T95X4	
Blind area	0.48 m	1.57ft
Unit weight of the barrel	29kg/m	19.5lb/ft



## Perforating Gun 127

S.N.	Part No.	Remarks:
1	S127-A4011-610	Perforating gun assembly 127 x 6.1 m 40 borehole/m 135° levorotation
	S127-A4011-450	Perforating gun assembly 127 x 4.5m 40 borehole/m 135° levorotation
	S127-A4011-410	Perforating gun assembly 127 x 4.1m 40 borehole/m 135° levorotation
	S127-A4011-330	Perforating gun assembly 127 x 3.3m 40 borehole/m 135° levorotation
	S127-A4011-210	Perforating gun assembly 127 x 2.1m 40 borehole/m 135° levorotation
	S127-A4011-120	Perforating gun assembly 127 x 1.2m 40 borehole/m 135° levorotation
2	T127-A4021-610	Gun carrier assembly 127 x 6.1m 40 borehole/m 135° levorotation
	T127-A4021-450	Gun carrier assembly 127 x 4.5m 40 borehole/m 135° levorotation
	T127-A4021-410	Gun carrier assembly 127 x 4.1m 40 borehole/m 135° levorotation
	T127-A4021-330	Gun carrier assembly 127 x 3.3m 40 borehole/m 135° levorotation
	T127-A4021-210	Gun carrier assembly 127 x 2.1m 40 borehole/m 135° levorotation
	T127-A4021-120	Gun carrier assembly 127 x 1.2m 40 borehole/m 135° levorotation
3	T070-4021-610	Firing mount tube: 6.1m 40 shot/m 135°levorotation
	T070-4021-450	Firing mount tube: 4.5m 40 shot/m 135°levorotation
	T070-4021-410	Firing mount tube: 4.1m 40 shot/m 135°levorotation
	T070-4021-330	Firing mount tube: 3.3m 40 shot/m 135°levorotation
	T070-4021-210	Firing mount tube: 2.1m 40 shot/m 135°levorotation
	T070-4021-120	Firing mount tube: 1.2m 40 shot/m 135°levorotation
4	S127-4010-610	Perforating gun tube 127 x 6.1m 40 shot/m 135° levorotation
	S127-4010-450	Perforating gun tube 127 x 4.5m 40 shot/m 135° levorotation
	S127-4010-410	Perforating gun tube 127 x 4.1m 40 shot/m 135° levorotation
	S127-4010-330	Perforating gun tube 127 x 3.3m 40 shot/m 135° levorotation
	S127-4010-210	Perforating gun tube 127 x 2.1m 40 shot/m 135° levorotation
	S127-4010-120	Perforating gun tube 127 x 1.2m 40 shot/m 135° levorotation
5	127-0030-070	Positioning plate
6	127-0040-110	127 gun clamping ring
7	127-0050-076	127 gun head
8	127-0051-114	127 gun center tap
9	127-0052-114	127 gun breech
10	000-40100	Transmission detonation accessories
11		Tail end sealing block for blasting fuse
12	000-40334	Gun head O-Ring#334
13	127-40346	127 gun center tap O-Ring #346
A		Blasting fuse
B		Bilateral transmission detonation tube
C	692D-127R-2	Charge

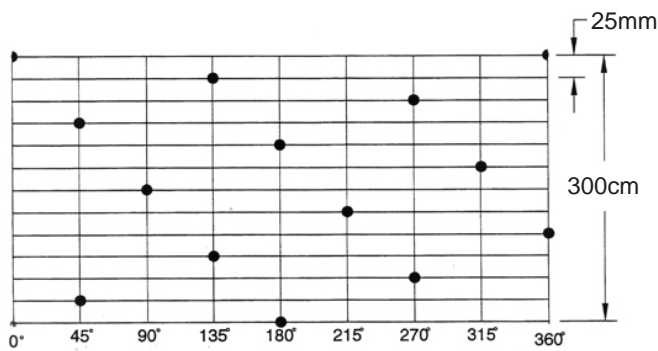
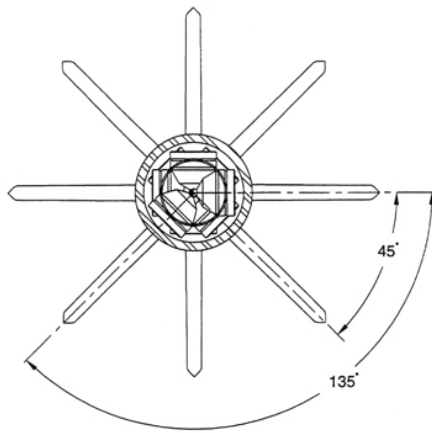


127 blind-hole perforating gun 40 shot/m 135° /45° levorotation

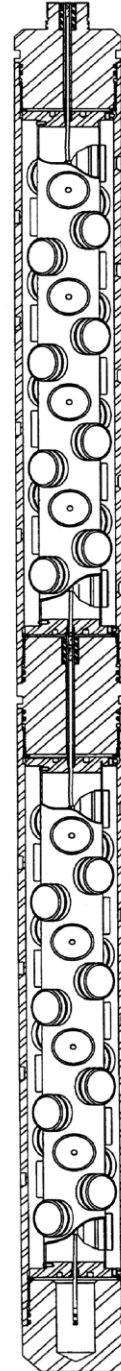
Blind-hole perforating gun: OD 127mm  
 40 shot/m 135°/45°levorotation  
 Perforating charge model: 692D-127R-2



## Perforating Gun 127



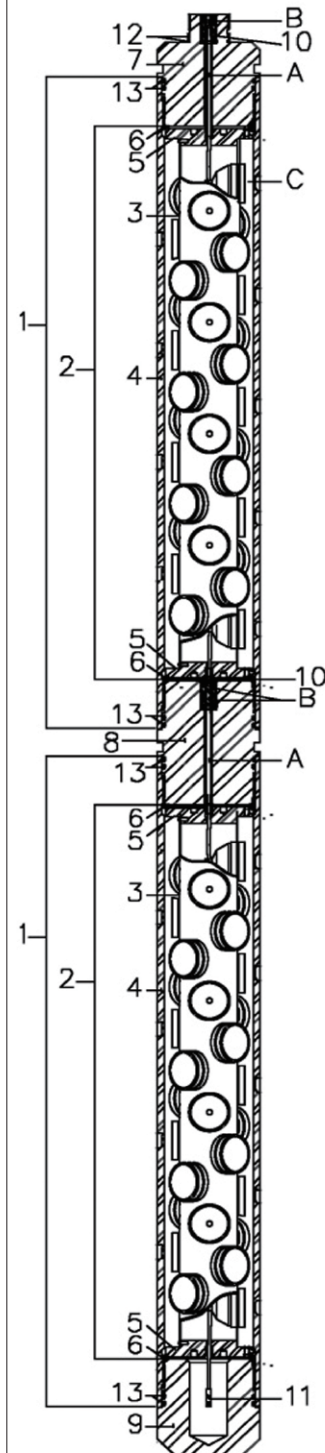
Technical Parameter		
External collapse	130Mpa	18850psi
Temperature	200℃	392 °F
Tensile strength	146000 kg	321600lbs
Bucket type	4-7/16"-6ACME	
Blind area	0.35 m	1.15ft
Unit weight of the barrel	35kg/m	23lb/ft



127 blind-hole perforating gun 40 shot/m 135 ° /45 ° levorotation

## Perforating Gun 127

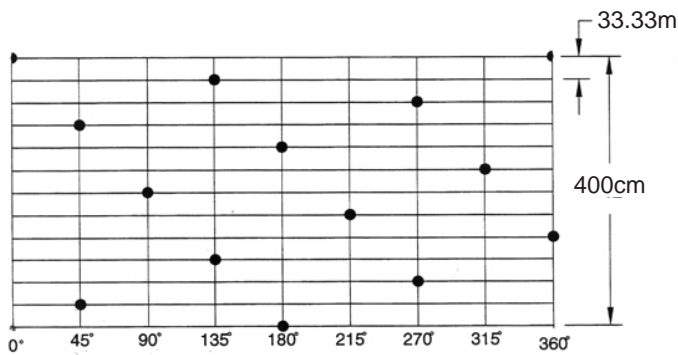
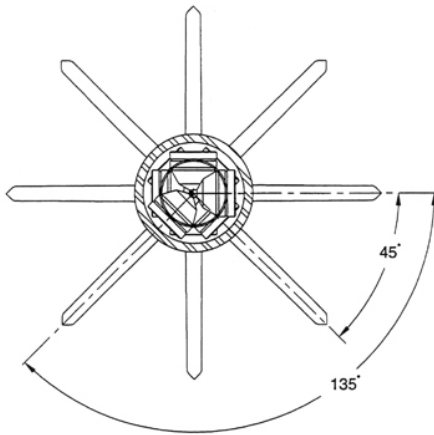
S.N.	Part No.	Remarks:
1	S127-A3010-610	Perforating gun assembly 127 x 6.1m 30 borehole/m 135° levorotation
	S127-A3010-450	Perforating gun assembly 127 x 4.5m 30 borehole/m 135° levorotation
	S127-A3010-330	Perforating gun assembly 127 x 3.3m 30 borehole/m 135° levorotation
	S127-A3010-210	Perforating gun assembly 127 x 2.1m 30 borehole/m 135° levorotation
	S127-A3010-120	Perforating gun assembly 127 x 1.2m 30 borehole/m 135° levorotation
2	T127-A3020-610	Gun carrier assembly 127 x 6.1m 30 borehole/m 135° levorotation
	T127-A3020-450	Gun carrier assembly 127 x 4.5m 30 borehole/m 135° levorotation
	T127-A3020-330	Gun carrier assembly 127 x 3.3m 30 borehole/m 135° levorotation
	T127-A3020-210	Gun carrier assembly 127 x 2.1m 30 borehole/m 135° levorotation
	T127-A3020-120	Gun carrier assembly 127 x 1.2m 30 borehole/m 135° levorotation
3	T076-3020-610	Firing mount tube: 6.1m 30 shot/m 135°levorotation
	T076-3020-450	Firing mount tube: 4.5m 30 shot/m 135°levorotation
	T076-3020-330	Firing mount tube: 3.3m 30 shot/m 135°levorotation
	T076-3020-210	Firing mount tube: 2.1m 30 shot/m 135°levorotation
	T076-3020-120	Firing mount tube: 1.2m 30 shot/m 135°levorotation
4	S127-3010-610	Perforating gun tube 127 x 6.1m 30 shot/m 135° levorotation
	S127-3010-450	Perforating gun tube 127 x 4.5m 30 shot/m 135° levorotation
	S127-3010-330	Perforating gun tube 127 x 3.3m 30 shot/m 135° levorotation
	S127-3010-210	Perforating gun tube 127 x 2.1m 30 shot/m 135° levorotation
	S127-3010-120	Perforating gun tube 127 x 1.2m 30 shot/m 135° levorotation
5	127-0030-076	Positioning plate
6	127-0040-110	127 gun clamping ring
7	127-0050-076	127 gun head
8	127-0051-114	127 gun center tap
9	127-0052-114	127 gun breech
10	000-40100	Transmission detonation accessories
11		Tail end sealing block for blasting fuse
12	000-40334	Gun head O-Ring #334
13	127-40346	127 gun center tap O-Ring #346
A		Blasting fuse
B		Bilateral transmission detonation tube
C	692D-127H-3	Charge



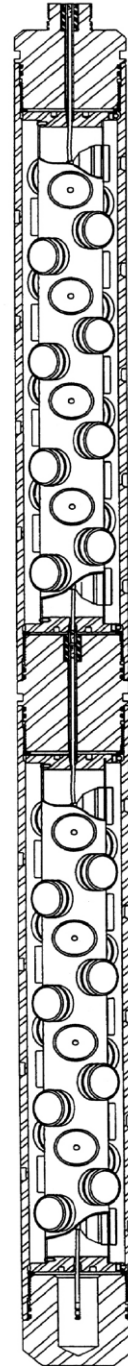
127 blind-hole perforating gun 30 shot/m 135° /45° levorotation

Blind-hole perforating gun: OD 127mm  
 30 shot/m 135°/45°levorotation  
 Perforating charge model: 692D-127H-3

**Perforating Gun 127**



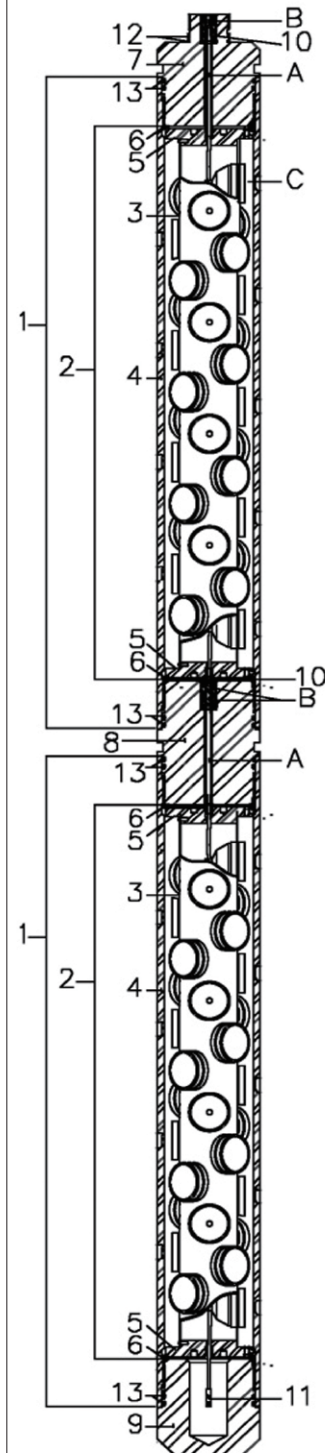
Technical Parameter		
External collapse	130Mpa	18850psi
Temperature	200℃	392 ℉
Tensile strength	146000 kg	321600lbs
Bucket type	4-7/16"-6ACME	
Blind area	0.35 m	1.15ft
Unit weight of the barrel	33kg/m	22lb/ft



127 blind-hole perforating gun 30 shot/m 135 ° /45 ° levorotation

## Perforating Gun 127

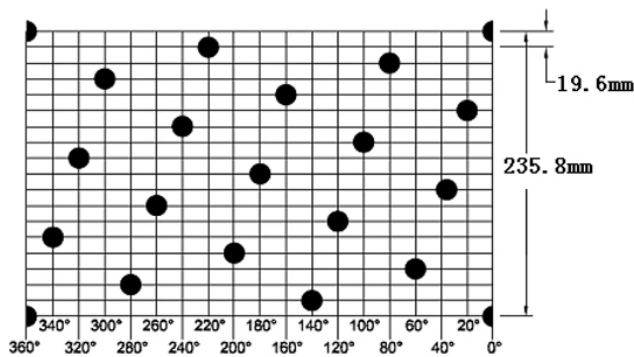
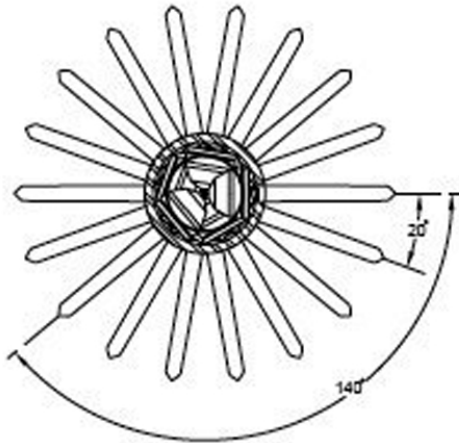
S.N.	Part No.	Remarks:
1	S127-A6010-450	Perforating gun assembly 127 x 4.5m 60 borehole/m 140° leverotation
	S127-A6010-410	Perforating gun assembly 127 x 4.1m 60 borehole/m 140° leverotation
	S127-A6010-330	Perforating gun assembly 127 x 3.3m 60 borehole/m 140° leverotation
	S127-A6010-210	Perforating gun assembly 127 x 2.1m 60 borehole/m 140° leverotation
	S127-A6010-120	Perforating gun assembly 127 x 1.2m 60 borehole/m 140° leverotation
2	T127-A6020-450	Gun carrier assembly 127 x 4.5m 60 borehole/m 140° leverotation
	T127-A6020-410	Gun carrier assembly 127 x 4.1m 60 borehole/m 140° leverotation
	T127-A6020-330	Gun carrier assembly 127 x 3.3m 60 borehole/m 140° leverotation
	T127-A6020-210	Gun carrier assembly 127 x 2.1m 60 borehole/m 140° leverotation
	T127-A6020-120	Gun carrier assembly 127 x 1.2m 60 borehole/m 140° leverotation
3	T070-6020-450	Firing mount tube: 4.5m 40 shot/m 135°levatorotation
	T070-6020-410	Firing mount tube: 4.1m 40 shot/m 135°levatorotation
	T070-6020-330	Firing mount tube: 3.3m 40 shot/m 135°levatorotation
	T070-6020-210	Firing mount tube: 2.1m 40 shot/m 135°levatorotation
	T070-6020-120	Firing mount tube: 1.2m 40 shot/m 135°levatorotation
4	S127-6010-450	Perforating gun tube 127 x 4.5m 40 shot/m 135° leverotation
	S127-6010-410	Perforating gun tube 127 x 4.1m 40 shot/m 135° leverotation
	S127-6010-330	Perforating gun tube 127 x 3.3m 40 shot/m 135° leverotation
	S127-6010-210	Perforating gun tube 127 x 2.1m 40 shot/m 135° leverotation
	S127-6010-120	Perforating gun tube 127 x 1.2m 40 shot/m 135° leverotation
5	127-0030-070	Positioning plate
6	127-0040-110	127 gun clamping ring
7	127-0050-076	127 gun head
8	127-0051-114	127 gun center tap
9	127-0052-114	127 gun breech
10	000-40100	Transmission detonation accessories
11		Tail end sealing block for blasting fuse
12	000-40334	Gun head O-Ring #334
13	127-40346	127 gun center tap O-Ring #346
A		Blasting fuse
B		Bilateral transmission detonation tube
C	692B-127R-11	Charge



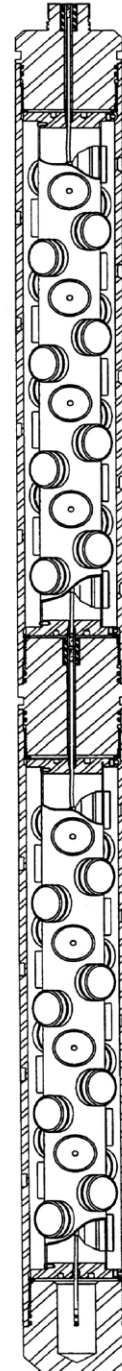
127 blind-hole perforating gun 60 shot/m 140° /20° leverotation

Blind-hole perforating gun: OD 127mm  
 60 shot/m 140°/20°levorotation  
 Perforating charge model: 692B-127R-11

**Perforating Gun 127**



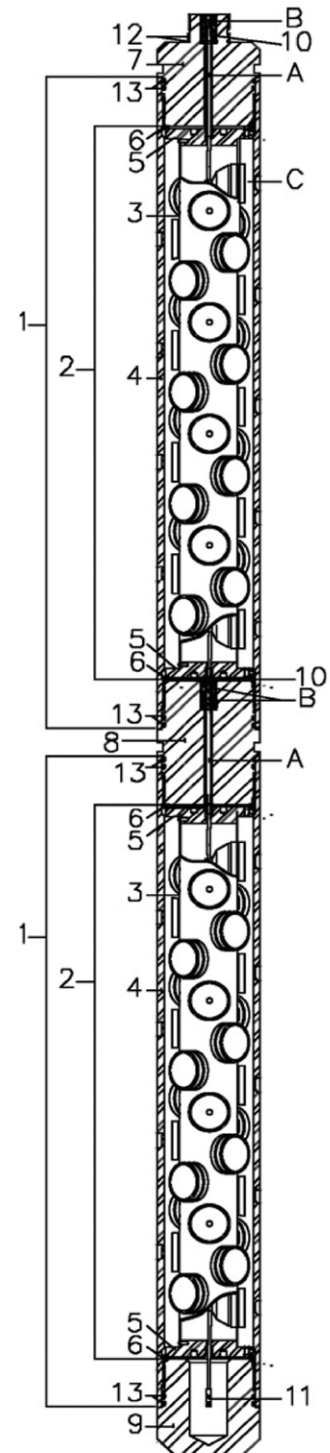
Technical Parameter		
External collapse	130Mpa	18850psi
Temperature	200℃	392 °F
Tensile strength	146000 kg	321600lbs
Bucket type	4-7/16"-6ACME	
Blind area	0.38 m	1.25ft
Unit weight of the barrel	35kg/m	23lb/ft



127 blind-hole perforating gun 60 shot/m 140 ° /20 ° levorotation

## Perforating Gun 127

S.N.	Part No.	Remarks:
1	S127-A1610-610	Perforating gun assembly 127 x 6.1m 16 borehole/m 60° leverotation
	S127-A1610-450	Perforating gun assembly 127 x 4.5m 16 borehole/m 60° leverotation
	S127-A1610-330	Perforating gun assembly 127 x 3.3m 16 borehole/m 60° leverotation
	S127-A1610-210	Perforating gun assembly 127 x 2.1m 16 borehole/m 60° leverotation
	S127-A1610-120	Perforating gun assembly 127 x 1.2m 16 borehole/m 60° leverotation
2	T127-A1620-610	Gun carrier assembly 127 x 6.1m 16 borehole/m 60° leverotation
	T127-A1620-450	Gun carrier assembly 127 x 4.5m 16 borehole/m 60° leverotation
	T127-A1620-330	Gun carrier assembly 127 x 3.3m 16 borehole/m 60° leverotation
	T127-A1620-210	Gun carrier assembly 127 x 2.1m 16 borehole/m 60° leverotation
	T127-A1620-120	Gun carrier assembly 127 x 1.2m 16 borehole/m 60° leverotation
3	T076-1620-610	Firing mount tube: 6.1m 16 shot/m 60° leverotation
	T076-1620-450	Firing mount tube: 4.5m 16 shot/m 60° leverotation
	T076-1620-330	Firing mount tube: 3.3m 16 shot/m 60° leverotation
	T076-1620-210	Firing mount tube: 2.1m 16 shot/m 60° leverotation
	T076-1620-120	Firing mount tube: 1.2m 16 shot/m 60° leverotation
4	S127-1610-610	Perforating gun tube 127 x 6.1m 16 shot/m 60° leverotation
	S127-1610-450	Perforating gun tube 127 x 4.5m 16 shot/m 60° leverotation
	S127-1610-330	Perforating gun tube 127 x 3.3m 16 shot/m 60° leverotation
	S127-1610-210	Perforating gun tube 127 x 2.1m 16 shot/m 60° leverotation
	S127-1610-120	Perforating gun tube 127 x 1.2m 16 shot/m 60° leverotation
5	127-0030-076	Positioning plate
6	127-0040-110	127 gun clamping ring
7	127-0050-076	127 gun head
8	127-0051-114	127 gun center tap
9	127-0052-114	127 gun breech
10	000-40100	Transmission detonation accessories
11		Tail end sealing block for blasting fuse
12	000-40334	Gun head O-Ring#334
13	127-40346	127 gun center tap O-Ring #346
A		Blasting fuse
B		Bilateral transmission detonation tube
C	692SD-127H-1 692XD-127R-3	Charge

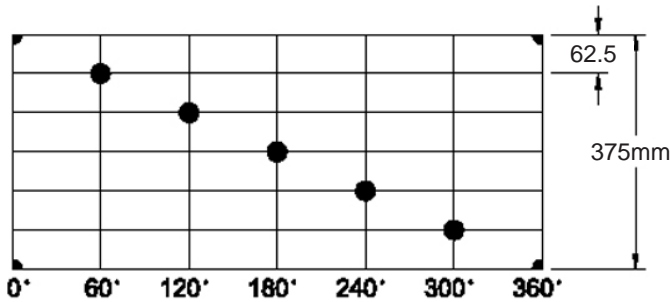
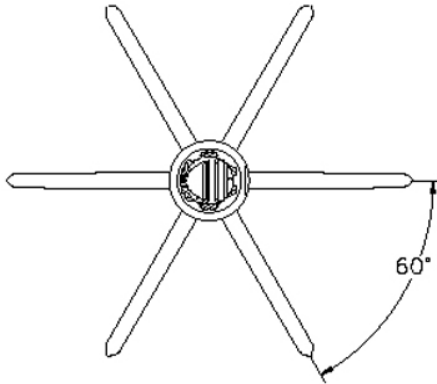


127 blind-hole perforating gun  
 16 shot/m 60° leverotation

Blind-hole perforating gun: OD 127mm  
 16 shot/m 60°levorotation  
 Perforating charge model: 692SD-127H-1  
 or 692XD-127R-3

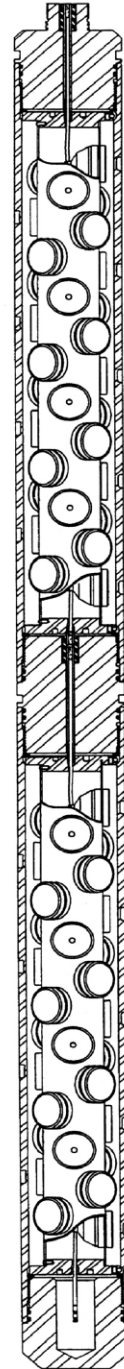


## Perforating Gun 127



### Technical Parameter

External collapse	130Mpa	18850psi
Temperature	200℃	392 ℉
Tensile strength	146000 kg	321600lbs
Bucket type	4-7/16"-6ACME	
Blind area	0.35 m	1.15ft
Unit weight of the barrel	35kg/m	23lb/ft

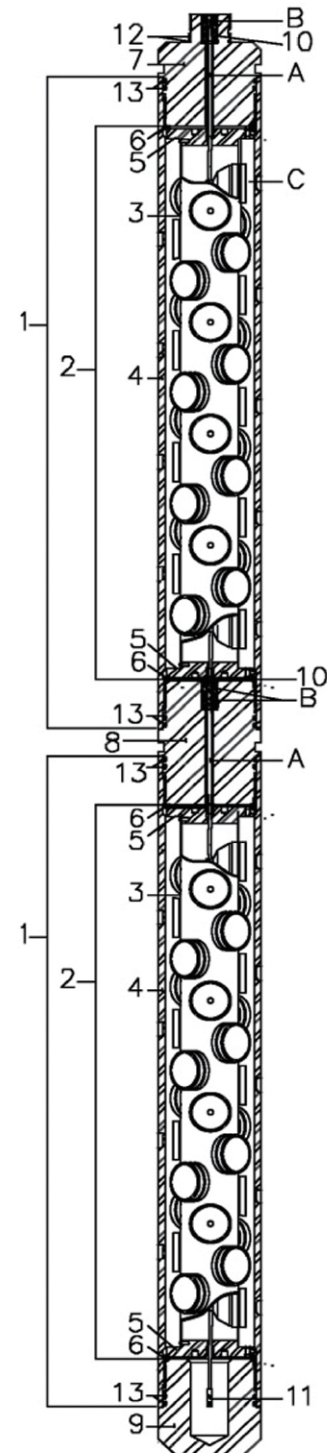


127 blind-hole perforating gun 16  
 shot/m 60° levorotation



## Perforating Gun 127

S.N.	Part No.	Remarks:
1	S127-A4013-610	Perforating gun assembly 127 x 6.1m 40 borehole/m 135° levorotation
	S127-A4013-450	Perforating gun assembly 127 x 4.5m 40 borehole/m 135° levorotation
	S127-A4013-410	Perforating gun assembly 127 x 4.1m 40 borehole/m 135° levorotation
	S127-A4013-330	Perforating gun assembly 127 x 3.3m 40 borehole/m 135° levorotation
	S127-A4013-210	Perforating gun assembly 127 x 2.1m 40 borehole/m 135° levorotation
	S127-A4013-120	Perforating gun assembly 127 x 1.2m 40 borehole/m 135° levorotation
2	T127-A4023-610	Gun carrier assembly 127 x 6.1m 40 borehole/m 135° levorotation
	T127-A4023-450	Gun carrier assembly 127 x 4.5m 40 borehole/m 135° levorotation
	T127-A4023-410	Gun carrier assembly 127 x 4.1m 40 borehole/m 135° levorotation
	T127-A4023-330	Gun carrier assembly 127 x 3.3m 40 borehole/m 135° levorotation
	T127-A4023-210	Gun carrier assembly 127 x 2.1m 40 borehole/m 135° levorotation
	T127-A4023-120	Gun carrier assembly 127 x 1.2m 40 borehole/m 135° levorotation
3	T070-4023-610	Firing mount tube: 6.1m 40 shot/m 135°levorotation
	T070-4023-450	Firing mount tube: 4.5m 40 shot/m 135°levorotation
	T070-4023-410	Firing mount tube: 4.1m 40 shot/m 135°levorotation
	T070-4023-330	Firing mount tube: 3.3m 40 shot/m 135°levorotation
	T070-4023-210	Firing mount tube: 2.1m 40 shot/m 135°levorotation
	T070-4023-120	Firing mount tube: 1.2m 40 shot/m 135°levorotation
4	S127-4010-610	Perforating gun tube 127 x 6.1m 40 shot/m 135° levorotation
	S127-4010-450	Perforating gun tube 127 x 4.5m 40 shot/m 135° levorotation
	S127-4010-410	Perforating gun tube 127 x 4.1m 40 shot/m 135° levorotation
	S127-4010-330	Perforating gun tube 127 x 3.3m 40 shot/m 135° levorotation
	S127-4010-210	Perforating gun tube 127 x 2.1m 40 shot/m 135° levorotation
	S127-4010-120	Perforating gun tube 127 x 1.2m 40 shot/m 135° levorotation
5	127-0030-070	Positioning plate
6	127-0040-110	127 gun clamping ring
7	127-0050-076	127 gun head
8	127-0051-114	127 gun center tap
9	127-0052-114	127 gun breech
10	000-40100	Transmission detonation accessories
11		Tail end sealing block for blasting fuse
12	000-40334	Gun head O-Ring #334
13	127-40346	127 gun center tap O-Ring #346
A		Blasting fuse
B		Bilateral transmission detonation tube
C	DP35RDX-44-127	Charge

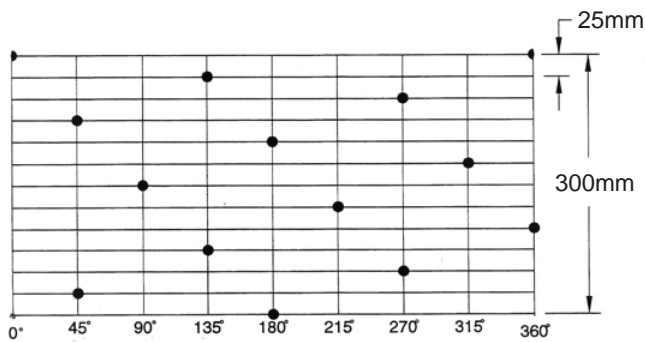
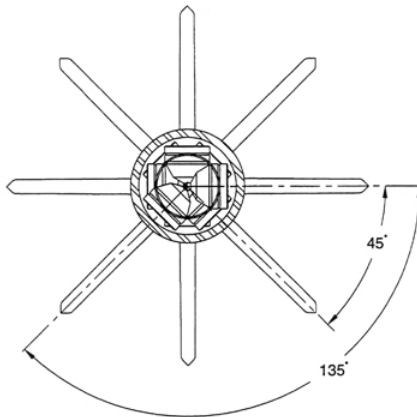


127 blind-hole perforating gun 40 shot/m 135° /45° levorotation

Blind-hole perforating gun: OD 127mm  
 40 shot/m 135°/45°levorotation  
 Perforating charge model: DP35RDX-44-127

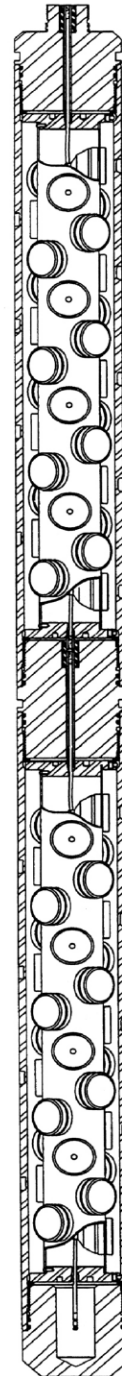


## Perforating Gun 127



### Technical Parameter

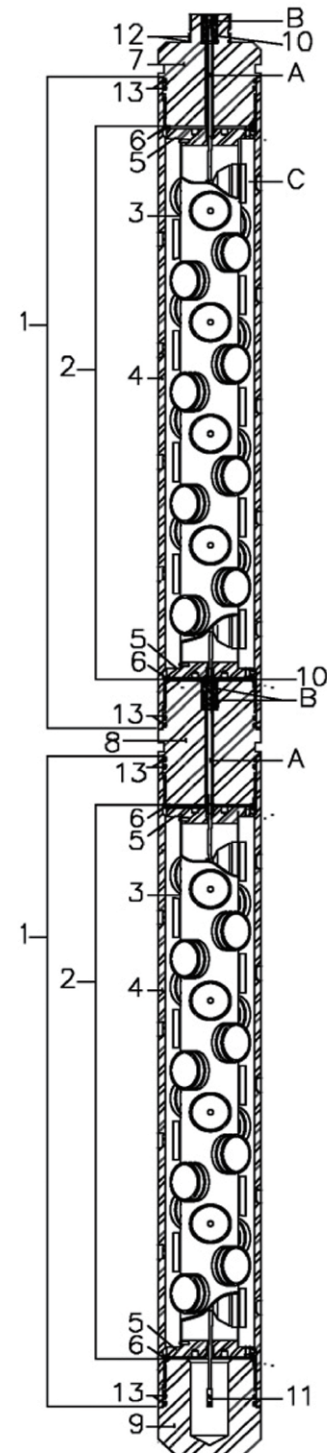
External collapse	130Mpa	18850psi
Temperature	200℃	392 ℉
Tensile strength	146000 kg	321600lbs
Bucket type	4-7/16"-6ACME	
Blind area	0.35 m	1.15ft
Unit weight of the barrel	35kg/m	23lb/ft



127 blind-hole perforating gun 40 shot/m 135 ° /45 ° levorotation

## Perforating Gun 127

S.N.	Part No.	Remarks:
1	S127-A4010-610	Perforating gun assembly 127 x 6.1m 40 borehole/m 135° levorotation
	S127-A4010-450	Perforating gun assembly 127 x 4.5m 40 borehole/m 135° levorotation
	S127-A4010-410	Perforating gun assembly 127 x 4.1m 40 borehole/m 135° levorotation
	S127-A4010-330	Perforating gun assembly 127 x 3.3m 40 borehole/m 135° levorotation
	S127-A4010-210	Perforating gun assembly 127 x 2.1m 40 borehole/m 135° levorotation
	S127-A4010-120	Perforating gun assembly 127 x 1.2m 40 borehole/m 135° levorotation
2	T127-A4020-610	Gun carrier assembly 127 x 6.1m 40 borehole/m 135° levorotation
	T127-A4020-450	Gun carrier assembly 127 x 4.5m 40 borehole/m 135° levorotation
	T127-A4020-410	Gun carrier assembly 127 x 4.1m 40 borehole/m 135° levorotation
	T127-A4020-330	Gun carrier assembly 127 x 3.3m 40 borehole/m 135° levorotation
	T127-A4020-210	Gun carrier assembly 127 x 2.1m 40 borehole/m 135° levorotation
	T127-A4020-120	Gun carrier assembly 127 x 1.2m 40 borehole/m 135° levorotation
3	T070-4020-610	Firing mount tube: 6.1m 40 shot/m 135°levorotation
	T070-4020-450	Firing mount tube: 4.5m 40 shot/m 135°levorotation
	T070-4020-410	Firing mount tube: 4.1m 40 shot/m 135°levorotation
	T070-4020-330	Firing mount tube: 3.3m 40 shot/m 135°levorotation
	T070-4020-210	Firing mount tube: 2.1m 40 shot/m 135°levorotation
	T070-4020-120	Firing mount tube: 1.2m 40 shot/m 135°levorotation
4	S127-4010-610	Perforating gun tube 127 x 6.1m 40 shot/m 135° levorotation
	S127-4010-450	Perforating gun tube 127 x 4.5m 40 shot/m 135° levorotation
	S127-4010-410	Perforating gun tube 127 x 4.1m 40 shot/m 135° levorotation
	S127-4010-330	Perforating gun tube 127 x 3.3m 40 shot/m 135° levorotation
	S127-4010-210	Perforating gun tube 127 x 2.1m 40 shot/m 135° levorotation
	S127-4010-120	Perforating gun tube 127 x 1.2m 40 shot/m 135° levorotation
5	127-0030-070	Positioning plate
6	127-0040-110	127 gun clamping ring
7	127-0050-076	127 gun head
8	127-0051-114	127 gun center tap
9	127-0052-114	127 gun breech
10	000-40100	Transmission detonation accessories
11		Tail end sealing block for blasting fuse
12	000-40334	Gun head O-Ring #334
13	127-40346	127 gun center tap O-Ring #346
A		Blasting fuse
B		Bilateral transmission detonation tube
C	DP36HMX-7	Charge

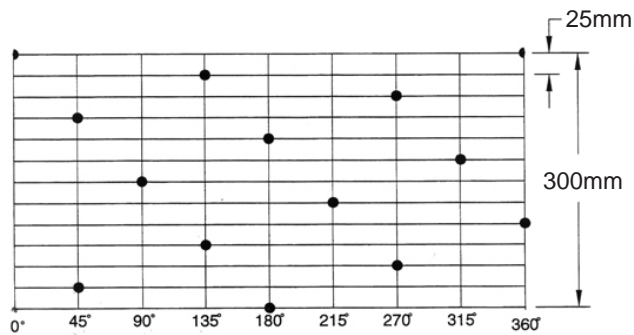
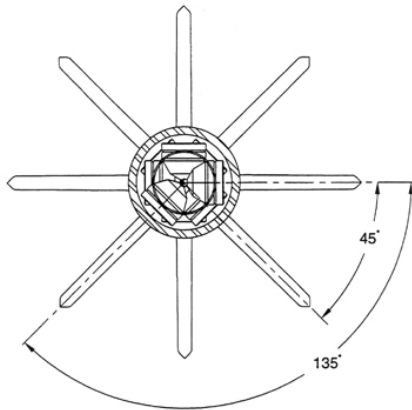


127 blind-hole perforating gun 40 shot/m 135° /45° levorotation

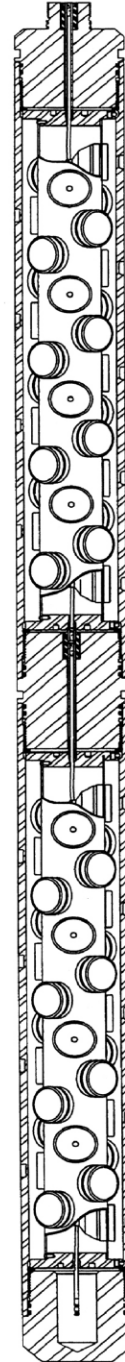
Blind-hole perforating gun: OD 127mm  
 40 shot/m 135°/45°levorotation  
 Perforating charge model: DP36HMX-7



## Perforating Gun 127



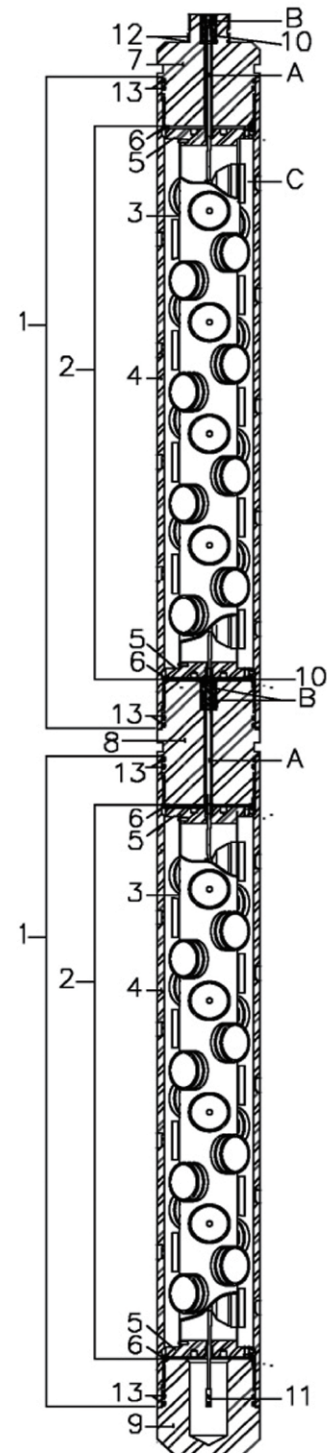
Technical Parameter		
External collapse	130Mpa	18850psi
Temperature	200℃	392 °F
Tensile strength	146000 kg	321600lbs
Bucket type	4-7/16"-6ACME	
Blind area	0.35 m	1.15ft
Unit weight of the barrel	35kg/m	23lb/ft



127 blind-hole perforating gun 40 shot/m 135 ° /45 ° levorotation

## Perforating Gun 159

S.N.	Part No.	Remarks:
1	S159-A1610-610	Perforating gun assembly 159 x 6.1m 16 borehole/m 60° levorotation
	S159-A1610-450	Perforating gun assembly 159 x 4.5m 16 borehole/m 60° levorotation
	S159-A1610-410	Perforating gun assembly 159 x 4.1m 16 borehole/m 60° levorotation
	S159-A1610-330	Perforating gun assembly 159 x 3.3m 16 borehole/m 60° levorotation
	S159-A1610-210	Perforating gun assembly 159 x 2.1m 16 borehole/m 60° levorotation
	S159-A1610-120	Perforating gun assembly 159 x 1.2m 16 borehole/m 60° levorotation
2	T159-A1620-610	Gun carrier assembly 159 x 6.1m 16 borehole/m 60° levorotation
	T159-A1620-450	Gun carrier assembly 159 x 4.5m 16 borehole/m 60° levorotation
	T159-A1620-410	Gun carrier assembly 159 x 4.1m 16 borehole/m 60° levorotation
	T159-A1620-330	Gun carrier assembly 159 x 3.3m 16 borehole/m 60° levorotation
	T159-A1620-210	Gun carrier assembly 159 x 2.1m 16 borehole/m 60° levorotation
	T159-A1620-120	Gun carrier assembly 159 x 1.2m 16 borehole/m 60° levorotation
3	T102-1620-610	Firing mount tube: 6.1m 16 shot/m 60° levorotation
	T102-1620-450	Firing mount tube: 4.5m 16 shot/m 60° levorotation
	T102-1620-410	Firing mount tube: 4.1m 16 shot/m 60° levorotation
	T102-1620-330	Firing mount tube: 3.3m 16 shot/m 60° levorotation
	T102-1620-210	Firing mount tube: 2.1m 16 shot/m 60° levorotation
	T102-1620-120	Firing mount tube: 1.2m 16 shot/m 60° levorotation
4	S159-1610-610	Perforating gun tube 159 x 6.1m 16 shot/m 60° levorotation
	S159-1610-450	Perforating gun tube 159 x 4.5m 16 shot/m 60° levorotation
	S159-1610-410	Perforating gun tube 159 x 4.1m 16 shot/m 60° levorotation
	S159-1610-330	Perforating gun tube 159 x 3.3m 16 shot/m 60° levorotation
	S159-1610-210	Perforating gun tube 159 x 2.1m 16 shot/m 60° levorotation
	S159-1610-120	Perforating gun tube 159 x 1.2m 16 shot/m 60° levorotation
5	159-0030-102	Positioning plate
6	159-0040-130	159 gun clamping ring
7	159-0050-076	159 gun head
8	159-0051-142	159 gun center tap
9	159-0052-142	159 gun breech
10	000-40100	Transmission detonation accessories
11		Tail end sealing block for blasting fuse
12	000-40334	Gun head O-Ring #334
13	159-40355	159 gun center tap O-Ring #355
A		Blasting fuse
B		Bilateral transmission detonation tube
C	1MD-3	Charge

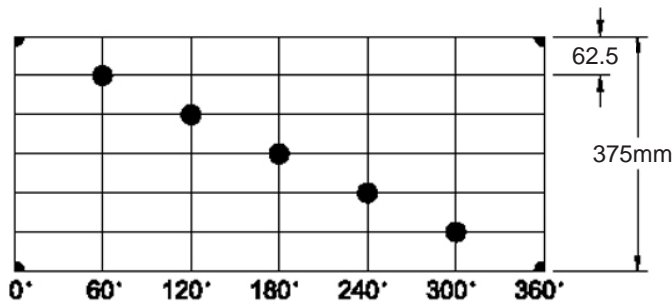
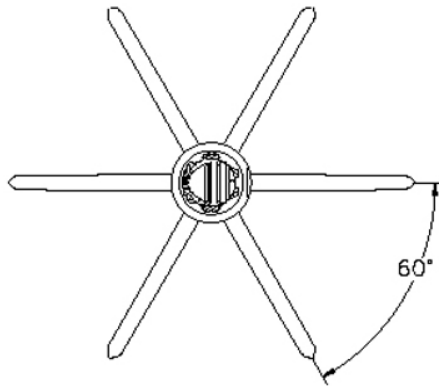


159 blind-hole perforating gun  
 16 shot/m 60° levorotation

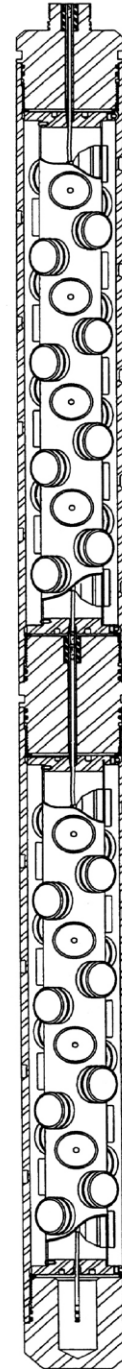
Blind-hole perforating gun: OD 159mm  
 16 shot/m 60°levorotation  
 Perforating charge model: 1MD-3



## Perforating Gun 159



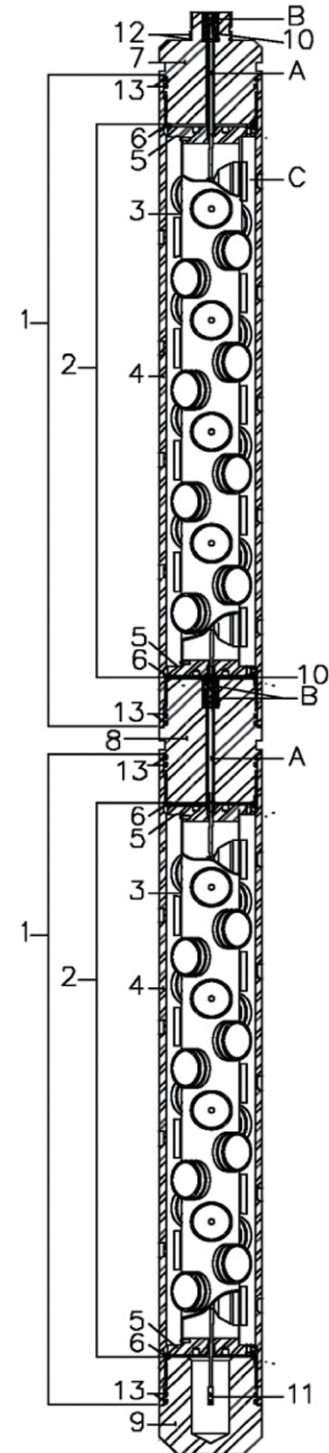
Technical Parameter		
External collapse	90Mpa	13050psi
Temperature	200℃	392 °F
Tensile strength	275000 kg	605700lbs
Bucket type	5-1/2"-6ACME	
Blind area	0.35 m	1.15ft
Unit weight of the barrel	57 kg/m	38lb/ft



159 blind-hole perforating gun  
 16 shot/m 60° levorotation

## Perforating Gun 159

S.N.	Part No.	Remarks:
1	S159-A4011-610	Perforating gun assembly 159 x 6.1m borehole/m 135° levorotation
	S159-A4011-450	Perforating gun assembly 159 x 4.5m borehole/m 135° levorotation
	S159-A4011-410	Perforating gun assembly 159 x 4.1m borehole/m 135° levorotation
	S159-A4011-330	Perforating gun assembly 159 x 3.3m borehole/m 135° levorotation
	S159-A4011-210	Perforating gun assembly 159 x 2.1m borehole/m 135° levorotation
	S159-A4011-120	Perforating gun assembly 159 x 1.2m borehole/m 135° levorotation
2	T159-A4021-610	Gun carrier assembly 159 x 6.1m 40 borehole/m 135° levorotation
	T159-A4021-450	Gun carrier assembly 159 x 4.5m 40 borehole/m 135° levorotation
	T159-A4021-410	Gun carrier assembly 159 x 4.1m 40 borehole/m 135° levorotation
	T159-A4021-330	Gun carrier assembly 159 x 3.3m 40 borehole/m 135° levorotation
	T159-A4021-210	Gun carrier assembly 159 x 2.1m 40 borehole/m 135° levorotation
	T159-A4021-120	Gun carrier assembly 159 x 1.2m 40 borehole/m 135° levorotation
3	T089-4021-610	Firing mount tube: 6.1m 40 shot/m 135°levorotation
	T089-4021-450	Firing mount tube: 4.5m 40 shot/m 135°levorotation
	T089-4021-410	Firing mount tube: 4.1m 40 shot/m 135°levorotation
	T089-4021-330	Firing mount tube: 3.3m 40 shot/m 135°levorotation
	T089-4021-210	Firing mount tube: 2.1m 40 shot/m 135°levorotation
	T089-4021-120	Firing mount tube: 1.2m 40 shot/m 135°levorotation
4	S159-4010-610	Perforating gun tube 159 x 6.1m 40 shot/m 135° levorotation
	S159-4010-450	Perforating gun tube 159 x 4.5m 40 shot/m 135° levorotation
	S159-4010-410	Perforating gun tube 159 x 4.1m 40 shot/m 135° levorotation
	S159-4010-330	Perforating gun tube 159 x 3.3m 40 shot/m 135° levorotation
	S159-4010-210	Perforating gun tube 159 x 2.1m 40 shot/m 135° levorotation
	S159-4010-120	Perforating gun tube 159 x 1.2m 40 shot/m 135° levorotation
5	159-0030-089	Positioning plate
6	159-0040-130	159 gun clamping ring
7	159-0050-076	159 gun head
8	159-0051-142	159 gun center tap
9	159-0052-142	159 gun breech
10	000-40100	Transmission detonation accessories
11		Tail end sealing block for blasting fuse
12	000-40334	Gun head O-Ring#334
13	159-40355	159 gun center tap O-Ring #355
A		Blasting fuse
B		Bilateral transmission detonation tube
C	TAG-6000-312Z	Charge

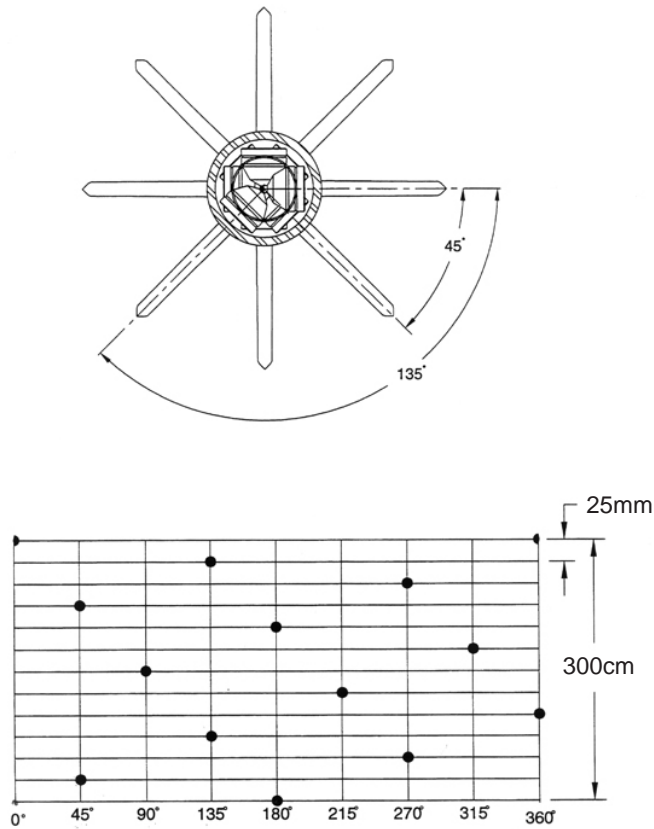


159 blind-hole perforating gun 40 shot/m 135° /45° levorotation

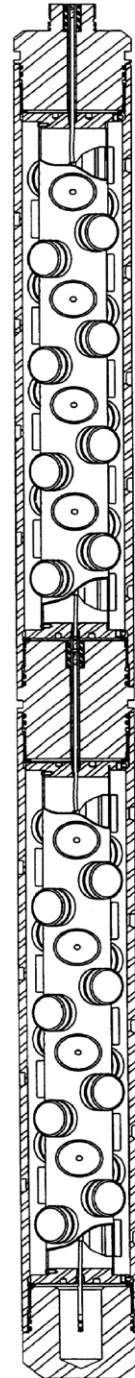
Blind-hole perforating gun: OD 159mm  
 40 shot/m 135°/45°levorotation  
 Perforating charge model: TAG-6000-312Z



## Perforating Gun 159



Technical Parameter		
External collapse	90Mpa	13050psi
Temperature	200°C	392 °F
Tensile strength	275000 kg	605700lbs
Bucket type	5-1/2"-6ACME	
Blind area	0.35 m	1.15ft
Unit weight of the barrel	52kg/m	35lb/ft

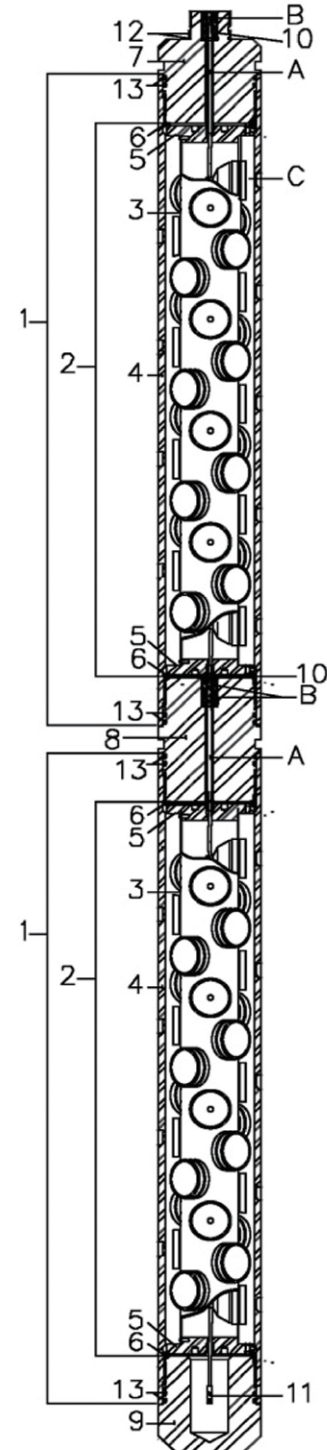


159 blind-hole perforating gun 40 shot/m 135° /45° levorotation



## Perforating Gun 159

S.N.	Part No.	Remarks:
1	S159-A4010-610	Perforating gun assembly 159 x 6.1m 40 borehole/m 135° levorotation
	S159-A4010-450	Perforating gun assembly 159 x 4.5m 40 borehole/m 135° levorotation
	S159-A4010-410	Perforating gun assembly 159 x 4.1m 40 borehole/m 135° levorotation
	S159-A4010-330	Perforating gun assembly 159 x 3.3m 40 borehole/m 135° levorotation
	S159-A4010-210	Perforating gun assembly 159 x 2.1m 40 borehole/m 135° levorotation
	S159-A4010-120	Perforating gun assembly 159 x 1.2m 40 borehole/m 135° levorotation
2	T159-A4020-610	Gun carrier assembly 159 x 6.1m 40 borehole/m 135° levorotation
	T159-A4020-450	Gun carrier assembly 159 x 4.5m 40 borehole/m 135° levorotation
	T159-A4020-410	Gun carrier assembly 159 x 4.1m 40 borehole/m 135° levorotation
	T159-A4020-330	Gun carrier assembly 159 x 3.3m 40 borehole/m 135° levorotation
	T159-A4020-210	Gun carrier assembly 159 x 2.1m 40 borehole/m 135° levorotation
	T159-A4020-120	Gun carrier assembly 159 x 1.2m 40 borehole/m 135° levorotation
3	T089-4020-610	Firing mount tube: 6.1m 40 shot/m 135°levorotation
	T089-4020-450	Firing mount tube: 4.5m 40 shot/m 135°levorotation
	T089-4020-410	Firing mount tube: 4.1m 40 shot/m 135°levorotation
	T089-4020-330	Firing mount tube: 3.3m 40 shot/m 135°levorotation
	T089-4020-210	Firing mount tube: 2.1m 40 shot/m 135°levorotation
	T089-4020-120	Firing mount tube: 1.2m 40 shot/m 135°levorotation
4	S159-4010-610	Perforating gun tube 159 x 6.1m 40 shot/m 135° levorotation
	S159-4010-450	Perforating gun tube 159 x 4.5m 40 shot/m 135° levorotation
	S159-4010-410	Perforating gun tube 159 x 4.1m 40 shot/m 135° levorotation
	S159-4010-330	Perforating gun tube 159 x 3.3m 40 shot/m 135° levorotation
	S159-4010-210	Perforating gun tube 159 x 2.1m 40 shot/m 135° levorotation
	S159-4010-120	Perforating gun tube 159 x 1.2m 40 shot/m 135° levorotation
5	159-0030-089	Positioning plate
6	159-0040-130	159 gun clamping ring
7	159-0050-076	159 gun head
8	159-0051-142	159 gun center tap
9	159-0052-142	159 gun breech
10	000-40100	Transmission detonation accessories
11		Tail end sealing block for blasting fuse
12	000-40334	Gun head O-Ring#334
13	159-40355	159 gun center tap O-Ring #355
A		Blasting fuse
B		Bilateral transmission detonation tube
C	TAG-5000-382 TAG-5000-313Z	Charge, 39g RDX

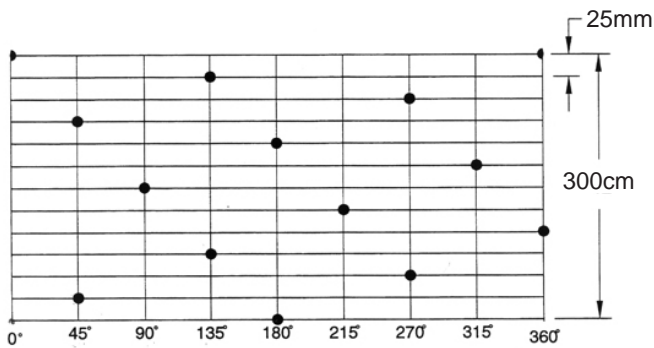
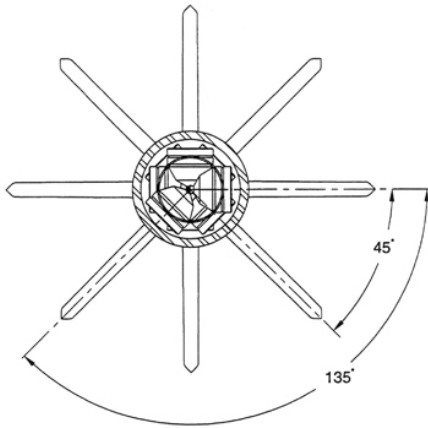


159 blind-hole perforating gun 40 shot/m 135° /45° levorotation

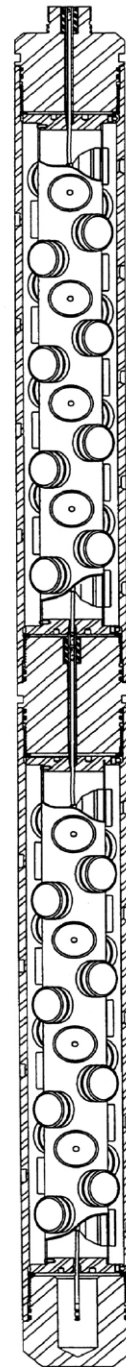
Blind-hole perforating gun: OD 159mm  
 40 shot/m 135°/45°levorotation  
 Perforating charge model: TAG-5000-382  
 or TAG-5000-313Z



## Perforating Gun 159



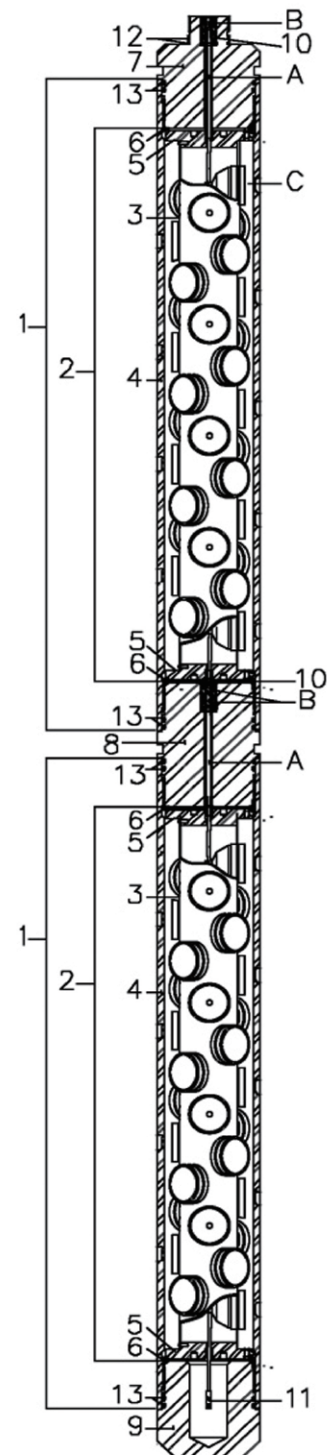
Technical Parameter		
External collapse	90Mpa	13050psi
Temperature	200℃	392 ℉
Tensile strength	275000 kg	605700lbs
Bucket type	5-1/2"-6ACME	
Blind area	0.35 m	1.15ft
Unit weight of the barrel	52 kg/m	35lb/ft



159 blind-hole perforating gun 40 shot/m 135 ° /45 ° levorotation

## Perforating Gun 159

S.N.	Part No.	Remarks:
1	S159-A4012-610	Perforating gun assembly 159 x 6.1m borehole/m 135° levorotation
	S159-A4012-450	Perforating gun assembly 159 x 4.5m borehole/m 135° levorotation
	S159-A4012-410	Perforating gun assembly 159 x 4.1m borehole/m 135° levorotation
	S159-A4012-330	Perforating gun assembly 159 x 3.3m borehole/m 135° levorotation
	S159-A4012-210	Perforating gun assembly 159 x 2.1m borehole/m 135° levorotation
	S159-A4012-120	Perforating gun assembly 159 x 1.2m borehole/m 135° levorotation
2	T159-A4022-610	Gun carrier assembly 159 x 6.1m borehole/m 135° levorotation
	T159-A4022-450	Gun carrier assembly 159 x 4.5m borehole/m 135° levorotation
	T159-A4022-410	Gun carrier assembly 159 x 4.1m borehole/m 135° levorotation
	T159-A4022-330	Gun carrier assembly 159 x 3.3m borehole/m 135° levorotation
	T159-A4022-210	Gun carrier assembly 159 x 2.1m borehole/m 135° levorotation
	T159-A4022-120	Gun carrier assembly 159 x 1.2m borehole/m 135° levorotation
3	T096-4022-610	Firing mount tube: 6.1m 40 shot/m 135°levorotation
	T096-4022-450	Firing mount tube: 4.5m 40 shot/m 135°levorotation
	T096-4022-410	Firing mount tube: 4.1m 40 shot/m 135°levorotation
	T096-4022-330	Firing mount tube: 3.3m 40 shot/m 135°levorotation
	T096-4022-210	Firing mount tube: 2.1m 40 shot/m 135°levorotation
	T096-4022-120	Firing mount tube: 1.2m 40 shot/m 135°levorotation
4	S159-4010-610	Perforating gun tube 159 x 6.1m 40 shot/m 135° levorotation
	S159-4010-450	Perforating gun tube 159 x 4.5m 40 shot/m 135° levorotation
	S159-4010-410	Perforating gun tube 159 x 4.1m 40 shot/m 135° levorotation
	S159-4010-330	Perforating gun tube 159 x 3.3m 40 shot/m 135° levorotation
	S159-4010-210	Perforating gun tube 159 x 2.1m 40 shot/m 135° levorotation
	S159-4010-120	Perforating gun tube 159 x 1.2m 40 shot/m 135° levorotation
5	159-0030-096	Positioning plate
6	159-0040-130	159 gun clamping ring
7	159-0050-076	159 gun head
8	159-0051-142	159 gun center tap
9	159-0052-142	159 gun breech
10	000-40100	Transmission detonation accessories
11		Tail end sealing block for blasting fuse
12	000-40334	Gun head O-Ring #334
13	159-40355	159 gun center tap O-Ring #355
A		Blasting fuse
B		Bilateral transmission detonation tube
C	DP44RDX-1	Charge

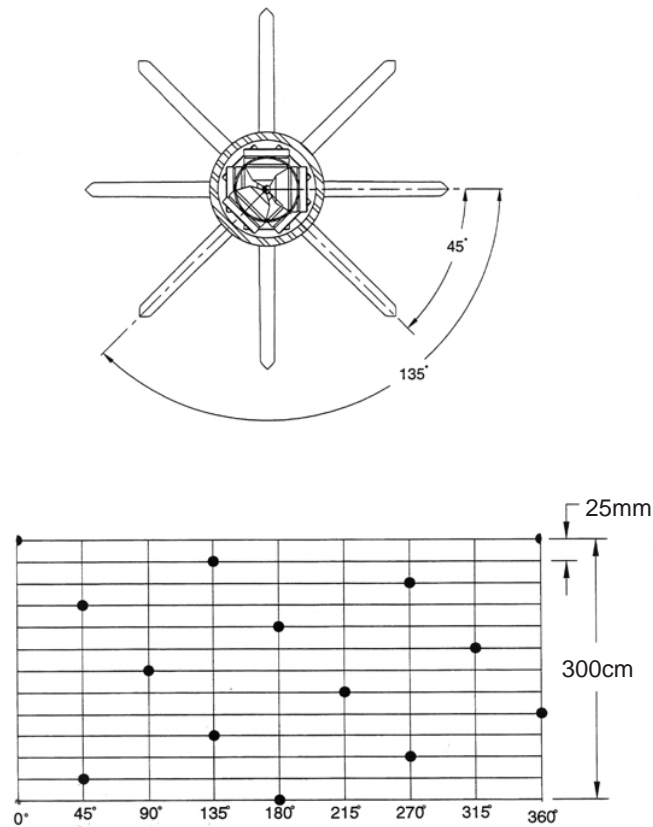


159 blind-hole perforating gun 40 shot/m 135° /45° levorotation

Blind-hole perforating gun: OD 159mm  
 40 shot/m 135°/45°levorotation  
 Perforating charge model: DP44RDX-1

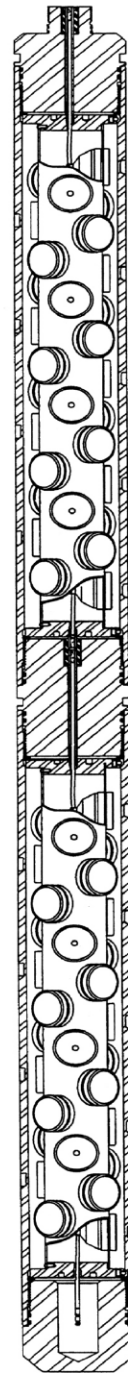


## Perforating Gun 159



### Technical Parameter

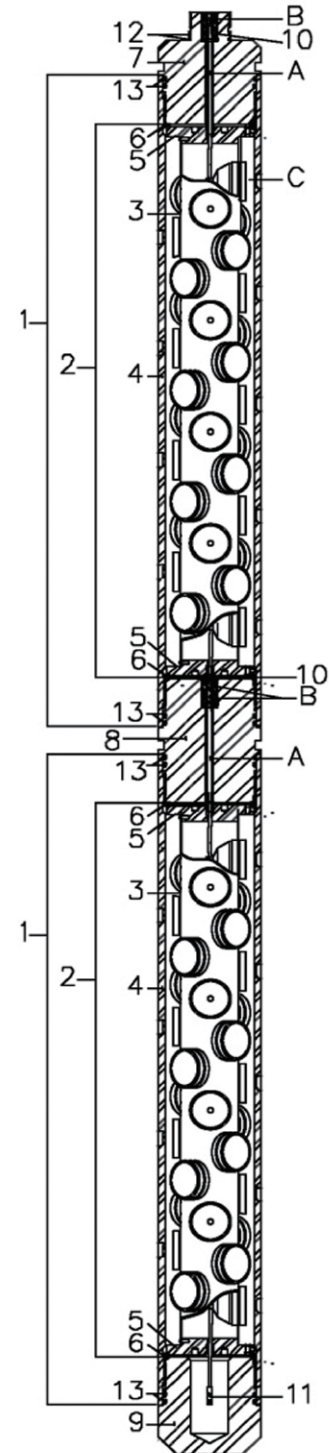
External collapse	90Mpa	13050psi
Temperature	200°C	392 °F
Tensile strength	275000 kg	605700lbs
Bucket type	5-1/2"-6ACME	
Blind area	0.35 m	1.15ft
Unit weight of the barrel	55 kg/m	37lb/ft



159 blind-hole perforating gun 40 shot/m 135° /45° levorotation

## Perforating Gun 178

S.N.	Part No.	Remarks:
1	S178-A4011-610	Perforating gun assembly 178 x 6.1m 40 borehole/m 135° levorotation
	S178-A4011-450	Perforating gun assembly 178 x 4.5m 40 borehole/m 135° levorotation
	S178-A4011-410	Perforating gun assembly 178 x 4.1m 40 borehole/m 135° levorotation
	S178-A4011-330	Perforating gun assembly 178 x 3.3m 40 borehole/m 135° levorotation
	S178-A4011-210	Perforating gun assembly 178 x 2.1m 40 borehole/m 135° levorotation
	S178-A4011-120	Perforating gun assembly 178 x 1.2m 40 borehole/m 135° levorotation
2	T178-A4021-610	Gun carrier assembly 178 x 6.1m 40 borehole/m 135° levorotation
	T178-A4021-450	Gun carrier assembly 178 x 4.5m 40 borehole/m 135° levorotation
	T178-A4021-410	Gun carrier assembly 178 x 4.1m 40 borehole/m 135° levorotation
	T178-A4021-330	Gun carrier assembly 178 x 3.3m 40 borehole/m 135° levorotation
	T178-A4021-210	Gun carrier assembly 178 x 2.1m 40 borehole/m 135° levorotation
	T178-A4021-120	Gun carrier assembly 178 x 1.2m 40 borehole/m 135° levorotation
3	T114-4021-610	Firing mount tube: 6.1m 40 shot/m 135°levorotation
	T114-4021-450	Firing mount tube: 4.5m 40 shot/m 135°levorotation
	T114-4021-410	Firing mount tube: 4.1m 40 shot/m 135°levorotation
	T114-4021-330	Firing mount tube: 3.3m 40 shot/m 135°levorotation
	T114-4021-210	Firing mount tube: 2.1m 40 shot/m 135°levorotation
	T114-4021-120	Firing mount tube: 1.2m 40 shot/m 135°levorotation
4	S178-4010-610	Perforating gun tube 178 x 6.1m 40 shot/m 135° levorotation
	S178-4010-450	Perforating gun tube 178 x 4.5m 40 shot/m 135° levorotation
	S178-4010-410	Perforating gun tube 178 x 4.1m 40 shot/m 135° levorotation
	S178-4010-330	Perforating gun tube 178 x 3.3m 40 shot/m 135° levorotation
	S178-4010-210	Perforating gun tube 178 x 2.1m 40 shot/m 135° levorotation
	S178-4010-120	Perforating gun tube 178 x 1.2m 40 shot/m 135° levorotation
5	178-0030-114	Positioning plate
6	178-0040-160	178 gun clamping ring
7	178-0050-076	178 gun head
8	178-0051-160	178 gun center tap
9	178-0052-160	178 gun breech
10	000-40100	Transmission detonation accessories
11		Tail end sealing block for blasting fuse
12	000-40334	Gun head O-Ring #334
13	178-40360	178 gun center tap O-Ring #360
A		Blasting fuse
B		Bilateral transmission detonation tube
C	TAG-7000-352Z TAG-7000-352ZF	Charge, 39g RDX Charge, 39g RDX

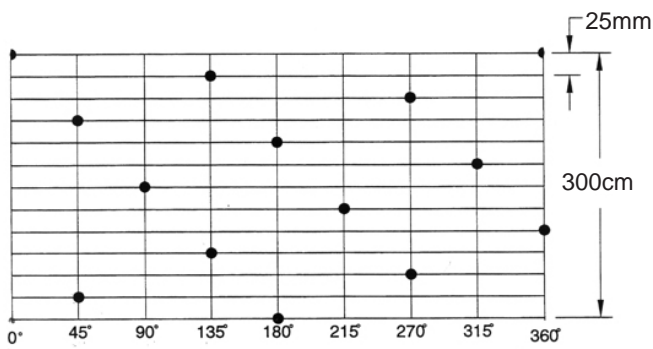
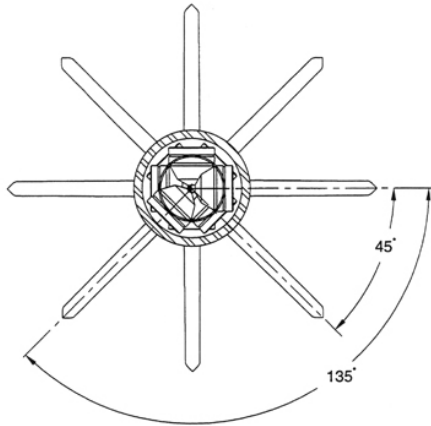


178 blind-hole perforating gun 40 shot/m 135° /45° levorotation

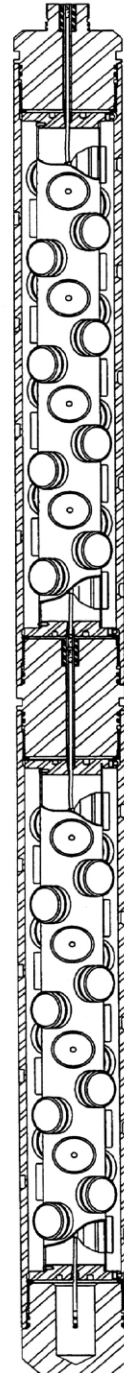
Blind-hole perforating gun: OD 178mm  
 40 shot/m 135°/45°levorotation  
 Perforating charge model: TAG-7000-352Z or  
 TAG-7000-352ZF



## Perforating Gun 178



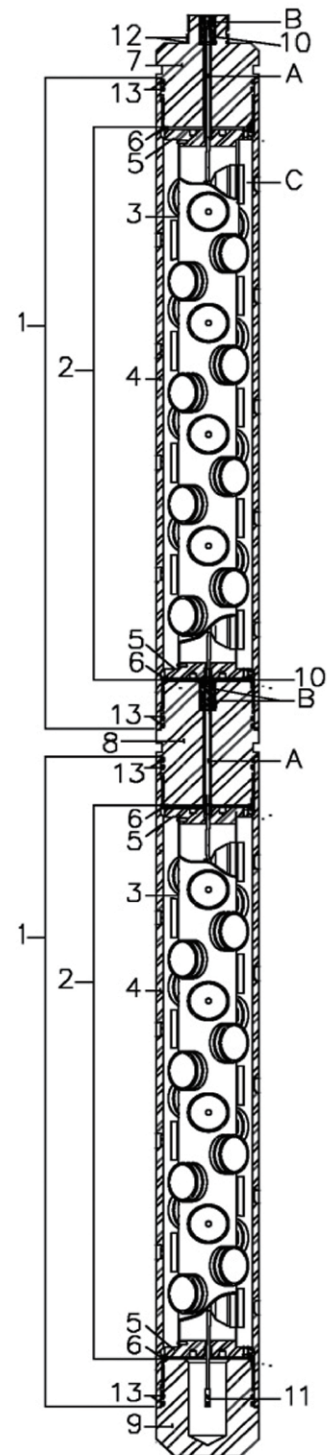
Technical Parameter		
External collapse	85 Mpa	12325 psi
Temperature	200 °C	392 °F
Tensile strength	343000 kg	755500lbs
Bucket type	6-1/4"-5ACME	
Blind area	0.40 m	1.31ft
Unit weight of the barrel	62 kg/m	41.3lb/ft



178 blind-hole perforating gun 40 shot/m 135 ° /45 ° levorotation

## Perforating Gun 178

S.N.	Part No.	Remarks:
1	S178-A4010-610	Perforating gun assembly 178 x 6.1m 40 shot/m 135° levorotation
	S178-A4010-450	Perforating gun assembly 178 x 4.5m 40 borehole/m 135° levorotation
	S178-A4010-410	Perforating gun assembly 178 x 4.1m 40 borehole/m 135° levorotation
	S178-A4010-330	Perforating gun assembly 178 x 3.3m 40 borehole/m 135° levorotation
	S178-A4010-210	Perforating gun assembly 178 x 2.1m 40 borehole/m 135° levorotation
	S178-A4010-120	Perforating gun assembly 178 x 1.2m 40 borehole/m 135° levorotation
2	T178-A4020-610	Gun carrier assembly 178 x 6.1m 40 borehole/m 135° levorotation
	T178-A4020-450	Gun carrier assembly 178 x 4.5m 40 borehole/m 135° levorotation
	T178-A4020-410	Gun carrier assembly 178 x 4.1m 40 borehole/m 135° levorotation
	T178-A4020-330	Gun carrier assembly 178 x 3.3m 40 borehole/m 135° levorotation
	T178-A4020-210	Gun carrier assembly 178 x 2.1m 40 borehole/m 135° levorotation
	T178-A4020-120	Gun carrier assembly 178 x 1.2m 40 borehole/m 135° levorotation
3	T089-4020-610	Firing mount tube: 6.1m 40 shot/m 135°levorotation
	T089-4020-450	Firing mount tube: 4.5m 40 shot/m 135°levorotation
	T089-4020-410	Firing mount tube: 4.1m 40 shot/m 135°levorotation
	T089-4020-330	Firing mount tube: 3.3m 40 shot/m 135°levorotation
	T089-4020-210	Firing mount tube: 2.1m 40 shot/m 135°levorotation
	T089-4020-120	Firing mount tube: 1.2m 40 shot/m 135°levorotation
4	S178-4010-610	Perforating gun tube 178 x 6.1m 40 shot/m 135° levorotation
	S178-4010-450	Perforating gun tube 178 x 4.5m 40 shot/m 135° levorotation
	S178-4010-410	Perforating gun tube 178 x 4.1m 40 shot/m 135° levorotation
	S178-4010-330	Perforating gun tube 178 x 3.3m 40 shot/m 135° levorotation
	S178-4010-210	Perforating gun tube 178 x 2.1m 40 shot/m 135° levorotation
	S178-4010-120	Perforating gun tube 178 x 1.2m 40 shot/m 135° levorotation
5	178-0030-089	Positioning plate
6	178-0040-160	178 gun clamping ring
7	178-0050-076	178 gun head
8	178-0051-160	178 gun center tap
9	178-0052-160	178 gun breech
10	000-40100	Transmission detonation accessories
11		Tail end sealing block for blasting fuse
12	000-40334	Gun head O-Ring#334
13	178-40360	178 gun center tap O-Ring #360
A		Blasting fuse
B		Bilateral transmission detonation tube
C	TAG-5000-382 TAG-5000-313Z	Charge, 39g RDX

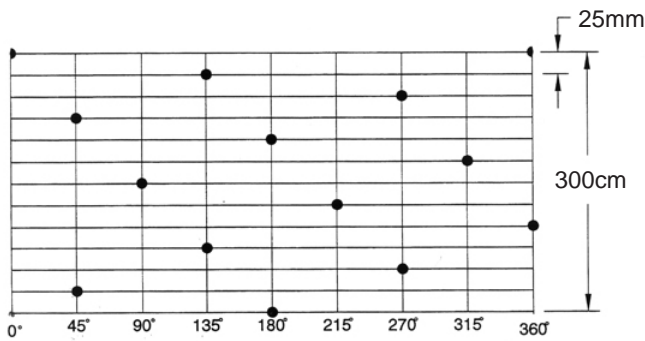
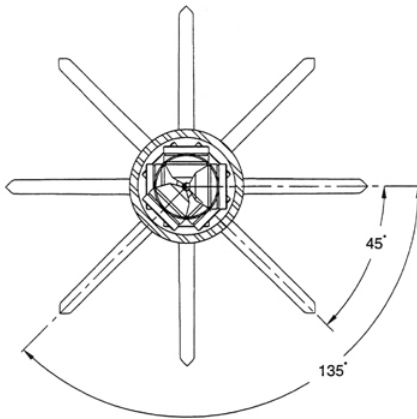


178 blind-hole perforating gun 40 shot/m 135° /45° levorotation

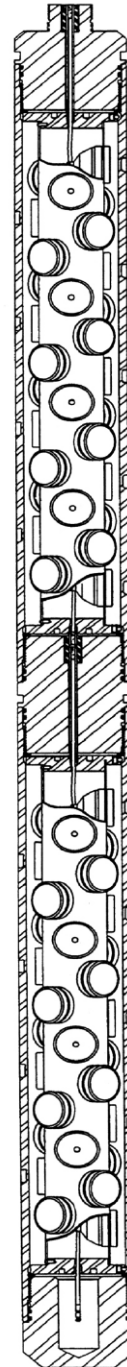
Blind-hole perforating gun: OD 178mm  
 40 shot/m 135°/45°levorotation  
 Perforating charge model: TAG-5000-382  
 or TAG-5000-313Z



## Perforating Gun 178



Technical Parameter		
External collapse	85 Mpa	12325 psi
Temperature	200 °C	392 °F
Tensile strength	343000 kg	755500lbs
Bucket type	6-1/4"-5ACME	
Blind area	0.40 m	1.31ft
Unit weight of the barrel	60 kg/m	40lb/ft

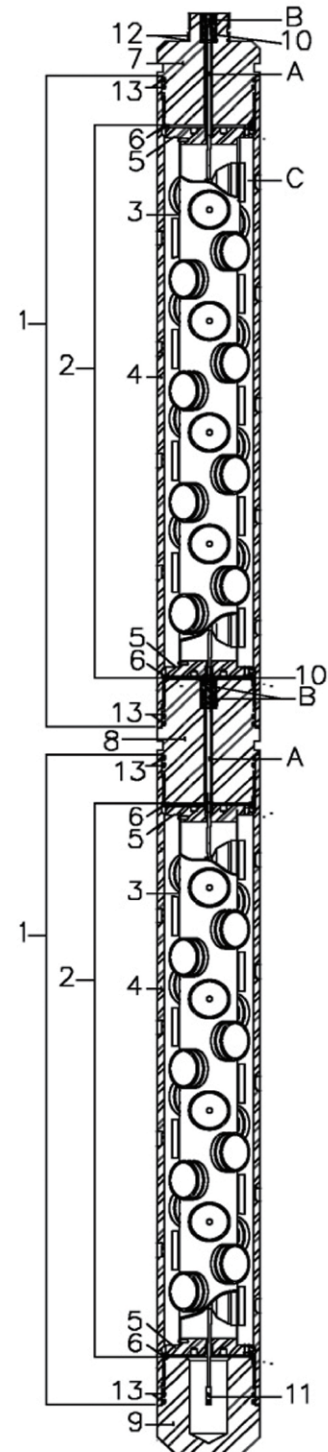


178 blind-hole perforating gun 40 shot/m 135° /45° levorotation



## Perforating Gun 178

S.N.	Part No.	Remarks:
1	S178-A6010-450 S178-A6010-330 S178-A6010-210 S178-A6010-120	Perforating gun assembly 178 x 4.5m 60 borehole/m 140° levorotation Perforating gun assembly 178 x 3.3m 60 borehole/m 140° levorotation Perforating gun assembly 178 x 2.1m 60 borehole/m 140° levorotation Perforating gun assembly 178 x 1.2m 60 borehole/m 140° levorotation
2	T178-A6020-450 T178-A6020-330 T178-A6020-210 T178-A6020-120	Gun carrier assembly 178 x 4.5m 60 borehole/m 140° levorotation Gun carrier assembly 178 x 3.3m 60 borehole/m 140° levorotation Gun carrier assembly 178 x 2.1m 60 borehole/m 140° levorotation Gun carrier assembly 178 x 1.2m 60 borehole/m 140° levorotation
3	T114-6020-450 T114-6020-330 T114-6020-210 T114-6020-120	Firing mount tube: 4.5m 40 shot/m 135°levorotation Firing mount tube: 3.3m 40 shot/m 135°levorotation Firing mount tube: 2.1m 40 shot/m 135°levorotation Firing mount tube: 1.2m 40 shot/m 135°levorotation
4	S178-6010-450 S178-6010-330 S178-6010-210 S178-6010-120	Perforating gun tube 178 x 4.5m 40 shot/m 135° levorotation Perforating gun tube 178 x 3.3m 40 shot/m 135° levorotation Perforating gun tube 178 x 2.1m 40 shot/m 135° levorotation Perforating gun tube 178 x 1.2m 40 shot/m 135° levorotation
5	178-0030-114	Positioning plate
6	178-0040-160	178 gun clamping ring
7	178-0050-076	178 gun head
8	178-0051-160	178 gun center tap
9	178-0052-160	178 gun breech
10	000-40100	Transmission detonation accessories
11		Tail end sealing block for blasting fuse
12	000-40334	Gun head O-Ring #334
13	178-403606	178 gun center tap O-Ring #346
A		Blasting fuse
B		Bilateral transmission detonation tube
C	692B-178R-11	Charge

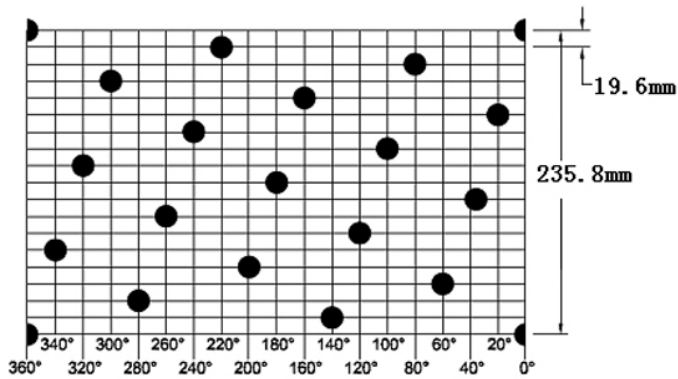
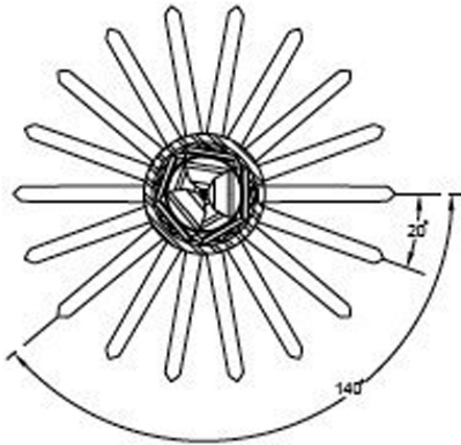


178 blind-hole perforating gun 60 shot/m 140° / 20° levorotation

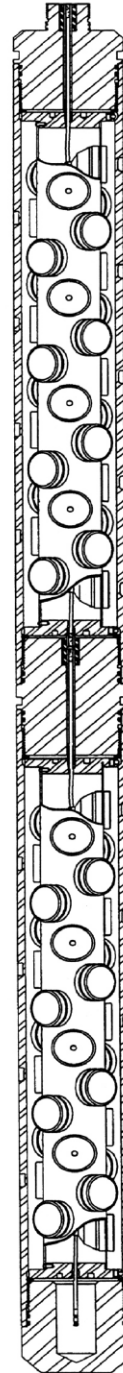
Blind-hole perforating gun: OD 178mm  
 60 shot/m 140°/20°levorotation  
 Perforating charge model: 692B-178R-11



## Perforating Gun 178



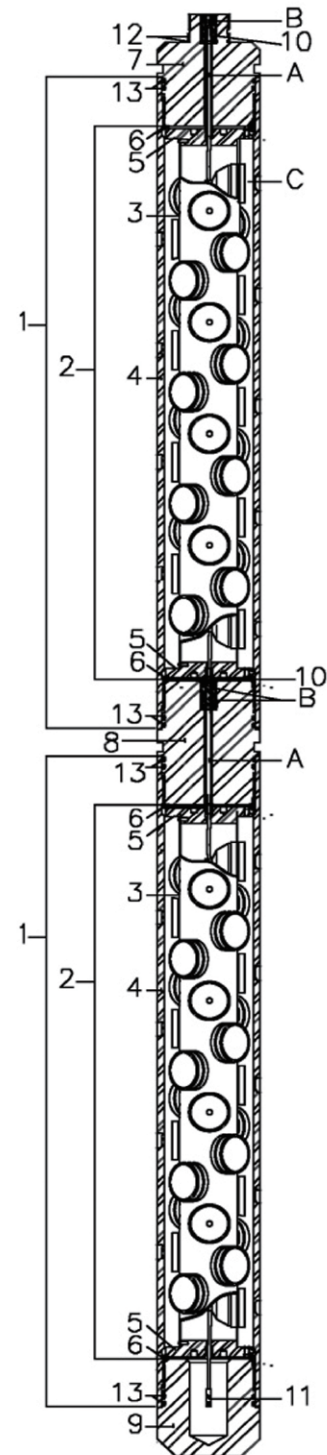
Technical Parameter		
External collapse	85Mpa	12325psi
Temperature	200℃	392 ℉
Tensile strength	343000 kg	755500lbs
Bucket type	6-1/4"-5ACME	
Blind area	0.41 m	1.34ft
Unit weight of the barrel	62kg/m	41.3lb/ft



178 blind-hole perforating gun 60 shot/m 140 ° /20 ° levorotation

## Perforating Gun 178

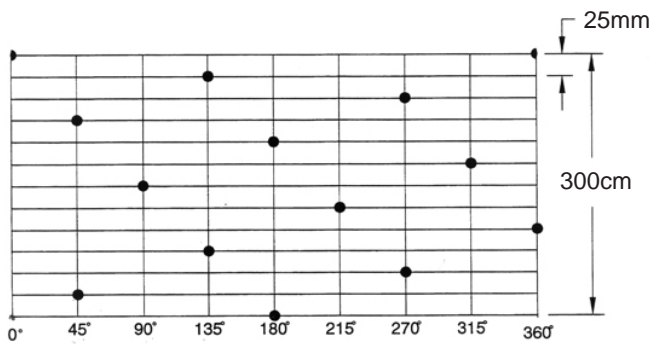
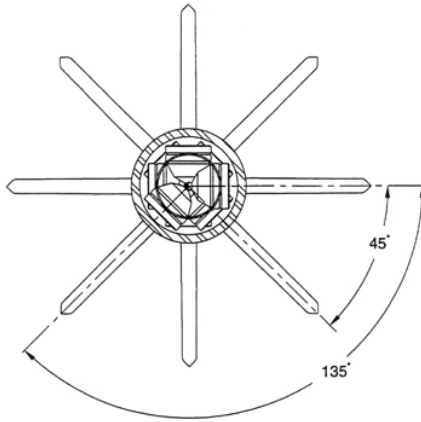
S.N.	Part No.	Remarks:
1	S178-A4012-610	Perforating gun assembly 178 x 6.1m 40 borehole/m 135° levorotation
	S178-A4012-450	Perforating gun assembly 178 x 4.5m 40 borehole/m 135° levorotation
	S178-A4012-410	Perforating gun assembly 178 x 4.1m 40 borehole/m 135° levorotation
	S178-A4012-330	Perforating gun assembly 178 x 3.3m 40 borehole/m 135° levorotation
	S178-A4012-210	Perforating gun assembly 178 x 2.1m 40 borehole/m 135° levorotation
	S178-A4012-120	Perforating gun assembly 178 x 1.2m 40 borehole/m 135° levorotation
2	T178-A4022-610	Gun carrier assembly 178 x 6.1m 40 borehole/m 135° levorotation
	T178-A4022-450	Gun carrier assembly 178 x 4.5m 40 borehole/m 135° levorotation
	T178-A4022-410	Gun carrier assembly 178 x 4.1m 40 borehole/m 135° levorotation
	T178-A4022-330	Gun carrier assembly 178 x 3.3m 40 borehole/m 135° levorotation
	T178-A4022-210	Gun carrier assembly 178 x 2.1m 40 borehole/m 135° levorotation
	T178-A4022-120	Gun carrier assembly 178 x 1.2m 40 borehole/m 135° levorotation
3	T114-4022-610	Firing mount tube: 6.1m 40 shot/m 135°levorotation
	T114-4022-450	Firing mount tube: 4.5m 40 shot/m 135°levorotation
	T114-4022-410	Firing mount tube: 4.1m 40 shot/m 135°levorotation
	T114-4022-330	Firing mount tube: 3.3m 40 shot/m 135°levorotation
	T114-4022-210	Firing mount tube: 2.1m 40 shot/m 135°levorotation
	T114-4022-120	Firing mount tube: 1.2m 40 shot/m 135°levorotation
4	S178-4010-610	Perforating gun tube 178 x 6.1m 40 shot/m 135° levorotation
	S178-4010-450	Perforating gun tube 178 x 4.5m 40 shot/m 135° levorotation
	S178-4010-410	Perforating gun tube 178 x 4.1m 40 shot/m 135° levorotation
	S178-4010-330	Perforating gun tube 178 x 3.3m 40 shot/m 135° levorotation
	S178-4010-210	Perforating gun tube 178 x 2.1m 40 shot/m 135° levorotation
	S178-4010-120	Perforating gun tube 178 x 1.2m 40 shot/m 135° levorotation
5	178-0030-114	Positioning plate
6	178-0040-160	178 gun clamping ring
7	178-0050-076	178 gun head
8	178-0051-160	178 gun center tap
9	178-0052-160	178 gun breech
10	000-40100	Transmission detonation accessories
11		Tail end sealing block for blasting fuse
12	000-40334	Gun head O-Ring#334
13	178-40360	178 gun center tap O-Ring #360
A		Blasting fuse
B		Bilateral transmission detonation tube
C	692B-178R-1	Charge



178 blind-hole perforating gun 40 shot/m 135° /45° levorotation

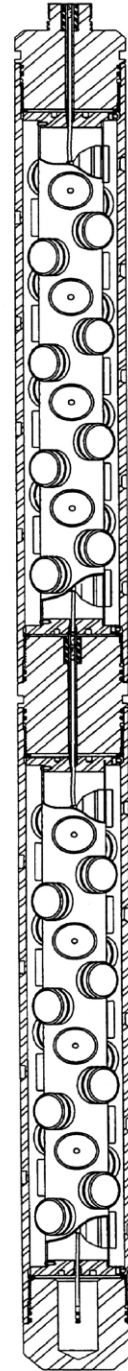
Blind-hole perforating gun: OD 178mm  
 40 shot/m 135°/45°levorotation  
 Perforating charge model: 692B-178R-1

## Perforating Gun 178



### Technical Parameter

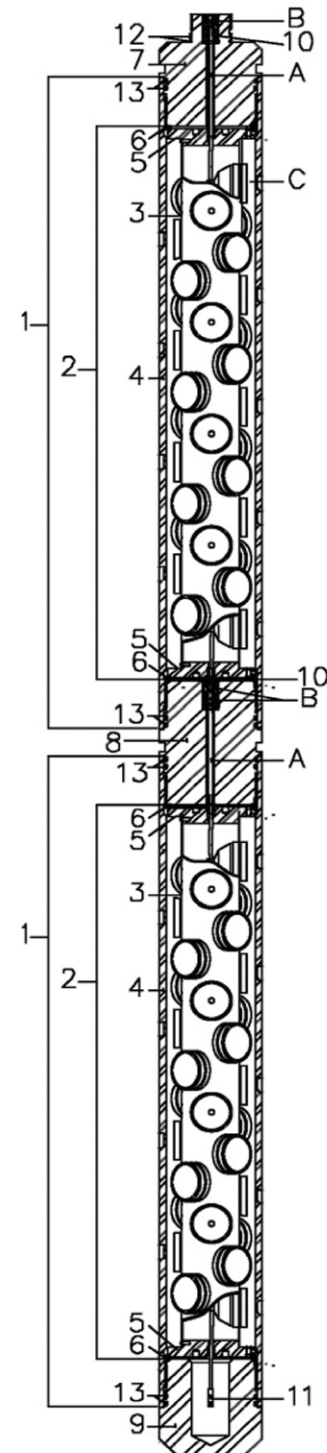
External collapse	85 Mpa	12325 psi
Temperature	200 °C	392 °F
Tensile strength	343000 kg	755500lbs
Bucket type	6-1/4"-5ACME	
Blind area	0.40 m	1.31ft
Unit weight of the barrel	62 kg/m	41.3lb/ft



178 blind - hole perforating gun 40 shot/m 135 ° /45 ° levorotation

## Perforating Gun 178

S.N.	Part No.	Remarks:
1	S178-A4013-610	Perforating gun assembly 178 x 6.1m 40 borehole/m 135° levorotation
	S178-A4013-450	Perforating gun assembly 178 x 4.5m 40 borehole/m 135° levorotation
	S178-A4013-410	Perforating gun assembly 178 x 4.1m 40 borehole/m 135° levorotation
	S178-A4013-330	Perforating gun assembly 178 x 3.3m 40 borehole/m 135° levorotation
	S178-A4013-210	Perforating gun assembly 178 x 2.1m 40 borehole/m 135° levorotation
	S178-A4013-120	Perforating gun assembly 178 x 1.2m 40 borehole/m 135° levorotation
2	T178-A4023-610	Gun carrier assembly 178 x 6.1m 40 borehole/m 135° levorotation
	T178-A4023-450	Gun carrier assembly 178 x 4.5m 40 borehole/m 135° levorotation
	T178-A4023-410	Gun carrier assembly 178 x 4.1m 40 borehole/m 135° levorotation
	T178-A4023-330	Gun carrier assembly 178 x 3.3m 40 borehole/m 135° levorotation
	T178-A4023-210	Gun carrier assembly 178 x 2.1m 40 borehole/m 135° levorotation
	T178-A4023-120	Gun carrier assembly 178 x 1.2m 40 borehole/m 135° levorotation
3	T114-4023-610	Firing mount tube: 6.1m 40 shot/m 135°levorotation
	T114-4023-450	Firing mount tube: 4.5m 40 shot/m 135°levorotation
	T114-4023-410	Firing mount tube: 4.1m 40 shot/m 135°levorotation
	T114-4023-330	Firing mount tube: 3.3m 40 shot/m 135°levorotation
	T114-4023-210	Firing mount tube: 2.1m 40 shot/m 135°levorotation
	T114-4023-120	Firing mount tube: 1.2m 40 shot/m 135°levorotation
4	S178-4010-610	Perforating gun tube 178 x 6.1m 40 shot/m 135° levorotation
	S178-4010-450	Perforating gun tube 178 x 4.5m 40 shot/m 135° levorotation
	S178-4010-410	Perforating gun tube 178 x 4.1m 40 shot/m 135° levorotation
	S178-4010-330	Perforating gun tube 178 x 3.3m 40 shot/m 135° levorotation
	S178-4010-210	Perforating gun tube 178 x 2.1m 40 shot/m 135° levorotation
	S178-4010-120	Perforating gun tube 178 x 1.2m 40 shot/m 135° levorotation
5	178-0030-102	Positioning plate
6	178-0040-160	178 gun clamping ring
7	178-0050-076	178 gun head
8	178-0051-160	178 gun center tap
9	178-0052-160	178 gun breech
10	000-40100	Transmission detonation accessories
11		Tail end sealing block for blasting fuse
12	000-40334	Gun head O-Ring#334
13	178-40360	178 gun center tap O-Ring #360
A		Blasting fuse
B		Bilateral transmission detonation tube
C	692B-178R-4	Charge
	692B-178R-6	Charge

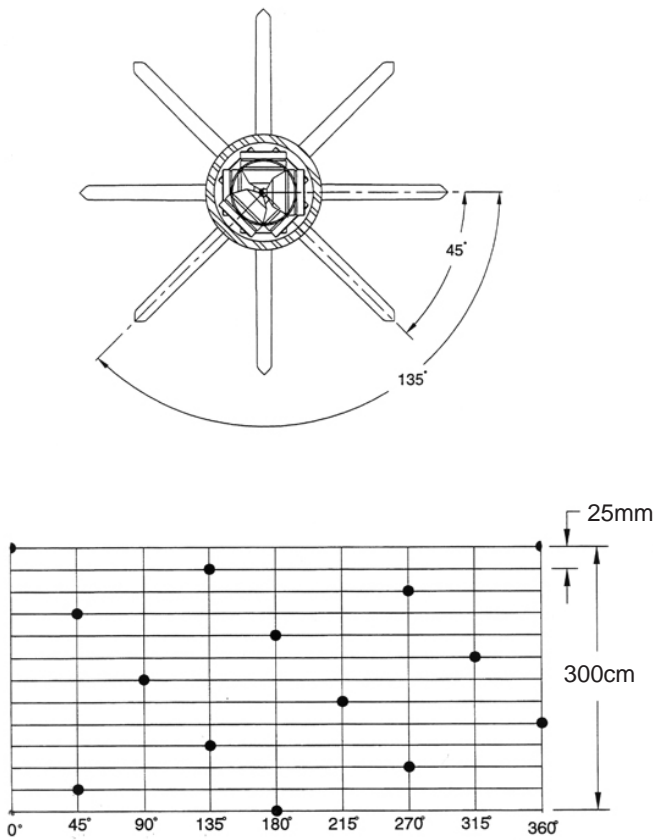


178 blind-hole perforating gun 40 shot/m 135° /45° levorotation

Blind-hole perforating gun: OD 178mm  
 40 shot/m 135°/45°levorotation  
 Perforating charge model: 692B-178R-4  
 or 692B-178R-6

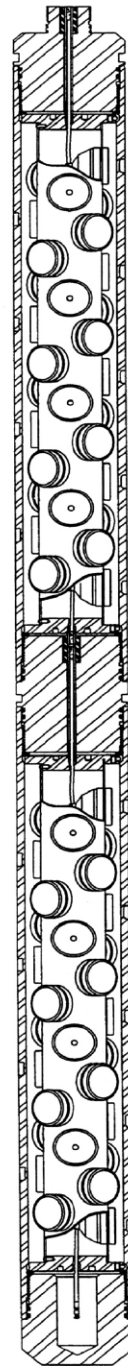


## Perforating Gun 178



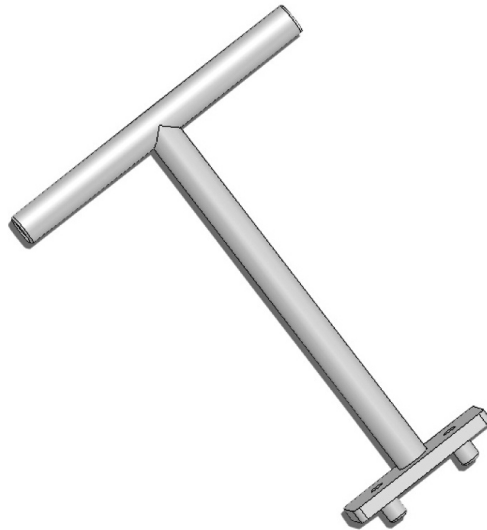
### Technical Parameter

External collapse	85 Mpa	12325 psi
Temperature	200 °C	392 °F
Tensile strength	343000 kg	755500lbs
Bucket type	6-1/4"-5ACME	
Blind area	0.40 m	1.31ft
Unit weight of the barrel	62 kg/m	41.3lb/ft



178 blind-hole perforating gun 40  
 shot/m 135 ° /45 ° levorotation

**Accessories for Tools**



S.N.	Part No.	Remarks:
1	178-0071-160	Adjusting tool of 178 positioning plate
2	159-0071-136	Adjusting tool of 159 positioning plate
3	127-0071-106	Adjusting tool of 127 positioning plate
4	114-0071-096	Adjusting tool of 114 positioning plate
5	102-0071-076	Adjusting tool of 102 positioning plate
6	089-0071-075	Adjusting tool of 89 positioning plate
7	086-0071-072	Adjusting tool of 86 positioning plate

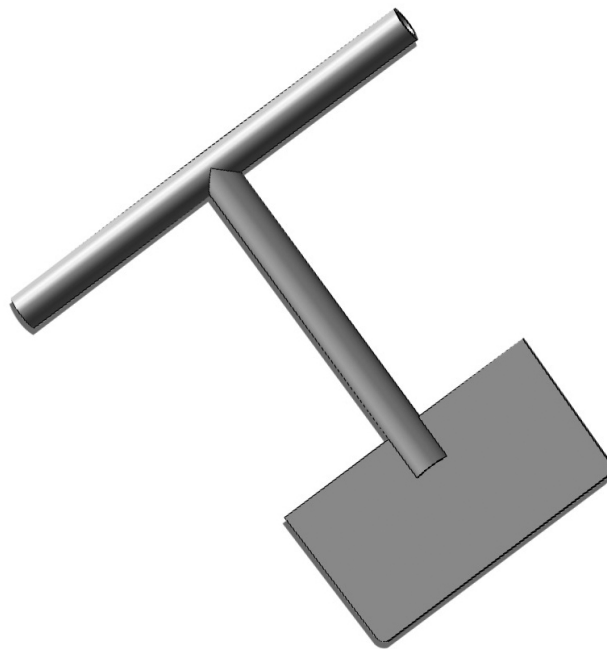
**Accessories for Tools**



S.N.	Part No.	Remarks:
1	178-0053-160 178-0054-160	Transmission detonation joint of clapboard for 178 perforating gun (with bore) Transmission detonation joint of clapboard for 178 perforating gun (without bore)
2	159-0053-142 159-0054-142	Transmission detonation joint of clapboard for 159 perforating gun (with bore) Transmission detonation joint of clapboard for 159 perforating gun (without bore)
3	127-0053-114 127-0054-114	Transmission detonation joint of clapboard for 127 perforating gun (with bore) Transmission detonation joint of clapboard for 127 perforating gun (without bore)
4	114-0053-101 114-0054-101	Transmission detonation joint of clapboard for 114 perforating gun (with bore) Transmission detonation joint of clapboard for 114 perforating gun (without bore)
5	000-0053-010	Relief valve for clapboard joint
6	000-0053-011	Pressure release bolt
7	000-0053-012	Pressure release nut
8	000-0053-013	Valve pressure



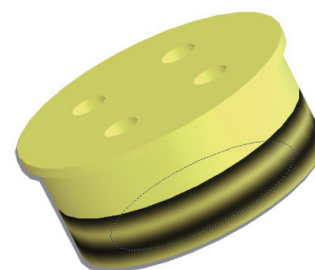
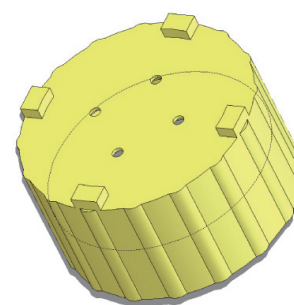
**Accessories for Tools**



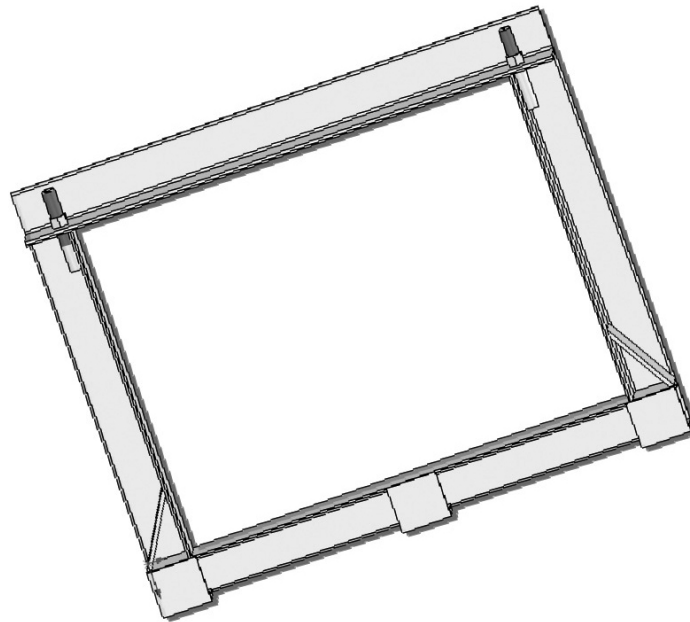
S.N.	Part No.	Remarks:
1	178-0072-160	178 thread protector disassembly tools
2	159-0072-136	159 thread protector disassembly tools
3	127-0072-106	127 thread protector disassembly tools
4	114-0072-096	114 thread protector disassembly tools
5	102-0072-076	102 thread protector disassembly tools
6	089-0072-075	89 thread protector disassembly tools
7	086-0072-072	86 thread protector disassembly tools

## Accessories for Tools

S.N.	Part No.	Remarks:
1	178-0060-160	178 male protective cap
	178-0061-160	178 female protective cap
	178-0062-160	178 nylon joint protective cap
	178-0063-160	178 nylon gun barrel thread protector
2	159-0060-136	159 male protective cap
	159-0061-136	159 female protective cap
	159-0062-136	159 nylon joint protective cap
	159-0063-136	159 nylon gun barrel thread protector
3	127-0060-106	127 male protective cap
	127-0061-106	127 female protective cap
	127-0062-106	127 nylon joint protective cap
	127-0063-106	127 nylon gun barrel thread protector
4	114-0060-096	114 male protective cap
	114-0061-096	114 female protective cap
	114-0062-096	114 nylon joint protective cap
	114-0063-096	114 nylon gun barrel thread protector
5	102-0060-076	102 male protective cap
	102-0061-076	102 female protective cap
	102-0062-076	102 nylon joint protective cap
	102-0063-076	102 nylon gun barrel thread protector
6	089-0060-075	89 male protective cap
	089-0061-075	89 female protective cap
	089-0062-075	89 nylon joint protective cap
	089-0063-075	89 nylon gun barrel thread protector
7	086-0060-072	86 male protective cap
	086-0061-072	86 female protective cap
	086-0062-072	86 nylon joint protective cap
	086-0063-072	86 nylon gun barrel thread protector

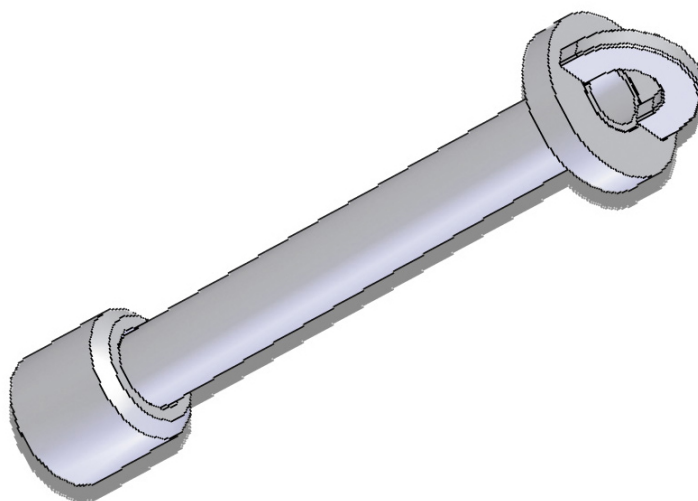


## Accessories for Tools



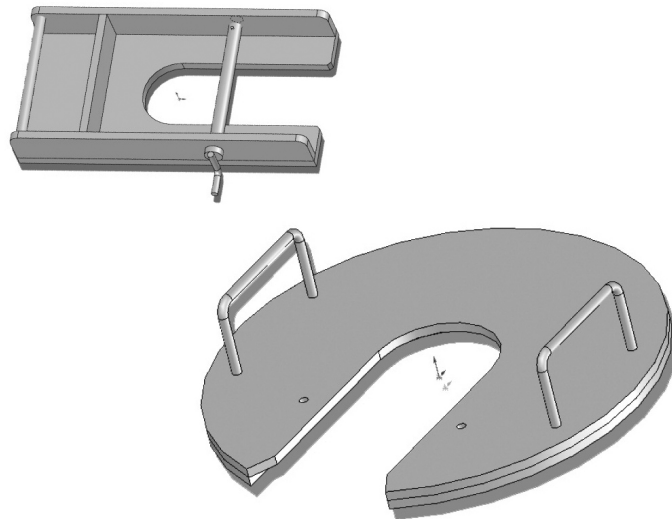
S.N.	Part No.	Remarks:
1	178-0073-540	178 packing frame
2	159-0073-485	159 packing frame
3	127-0073-514	127 packing frame
4	114-0073-460	114 packing frame
5	102-0073-514	102 packing frame
6	089-0073-360	89 packing frame
7	086-0073-350	86 packing frame

## Accessories for Tools



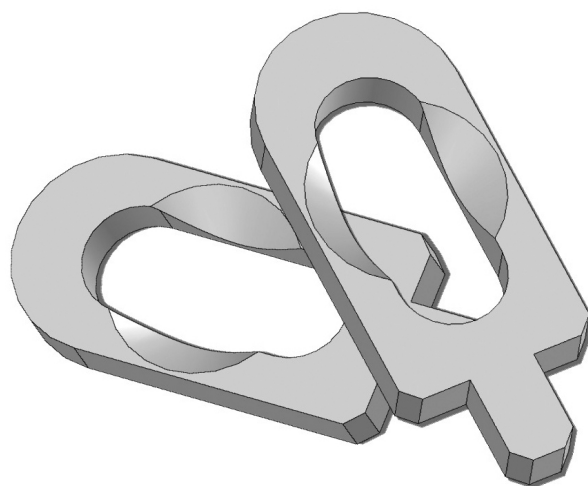
S.N.	Part No.	Remarks:
1	178-0055-160	178 lifting joint
2	159-0055-143	159 lifting joint
3	127-0055-114	127 lifting joint
4	114-0055-102	114 lifting joint
5	102-0055-089	102 lifting joint
6	089-0055-079	089 lifting joint
7	086-0055-076	086 lifting joint
8	000-1055-076	Gun head lifting sub
9	000-2055-073	Tubing lifting sub

**Accessories for Tools**



S.N.	Part No.	Remarks:
1	178-0070-160	178 safety clamping chuck
2	159-0070-136	159 safety clamping chuck
3	127-0070-106	127 safety clamping chuck
4	114-0070-096	114 safety clamping chuck
5	102-0070-076	102 safety clamping chuck
6	089-0070-075	089 Safety clamping chuck
7	086-0070-072	086 Safety clamping chuck

Accessories for Gun Barrel



S.N.	Part No.	Remarks:
1	178-41012	178 positioning key
2	000-41012	Positioning key (159, 127, 114, 102, 89, 86)

**Accessories for Gun Barrel**



S.N.	Part No.	Remarks:
1	178-42360	O-Ring 360 for 178 thread protector
2	159-42355	O-Ring 355 for 159 thread protector
3	127-42346	O-Ring 346 for 127 thread protector
4	114-42342	O-Ring 342 for 114 thread protector
5	102-42338	O-Ring 338 for 102 thread protector
6	089-42233	O-Ring 233 for 089 thread protector
7	086-42334	O-Ring 334 for 086 thread protector

## Universal Fittings

S.N.	Part No.	Remarks:
1	000-40010	Transmission detonation accessory kits (oviduct, center tap centralizing plug, centralizing tube and gasket)
2	000-40011	Oviduct
3	000-40012	Center tap centralizing plug
4	000-40013	Centralizing tube
5	000-40014	Gasket
6	000-70010	178 clapboard joint adapter sleeve
7	000-70020	Clapboard joint adapter sleeve (universal for 159, 127 and 114)
8	000-70110	178 clasp forceps
9	000-70120	Clasp forceps (universal for 159, 127, 114, 102, 89 and 86)
10	000-40100	Firing mount tube bolt GB679-66 M6X10
11	000-40101	Positioning key bolt GB-819-95 M6X10
12	000-40020	Gun head centralizing plug
13	000-40334	Gun head O-Ring #334
14	000-71010	Glass plate male joint (with bore)
15	000-71020	Glass plate female joint (with bore)
16	000-71030	Glass plate male joint (without bore)
17	000-71040	Glass plate female joint (without bore)



## Accessories for Gun Barrel

S.N.	Part No.	Remarks:
1	178-80159	178-rotation 159 double male joint
2	178-80127	178-rotation 127 double male joint
3	178-80114	178-rotation 114 double male joint
4	178-80102	178-rotation 102 double male joint
5	178-80089	178-rotation 89 double male joint
6	178-80086	178-rotation 86 double male joint
7	159-80127	159-rotation 127 double male joint
8	159-80114	159-rotation 114 double male joint
9	159-80102	159-rotation 102 double male joint
10	159-80089	159-rotation 89 double male joint
11	159-80086	159-rotation 86 double male joint
12	127-80114	127-rotation 114 double male joint
13	127-80102	127-rotation 102 double male joint
14	127-80089	127-rotation 89 double male joint
15	127-80086	127-rotation 86 double male joint
16	114-80102	114-rotation 102 double male joint
17	114-80089	114-rotation 89 double male joint
18	114-80086	114-rotation 86 double male joint
19	102-80089	102-rotation 89 double male joint
20	102-80086	102-rotation 86 double male joint
21	089-80086	89-rotation 86 double male joint

